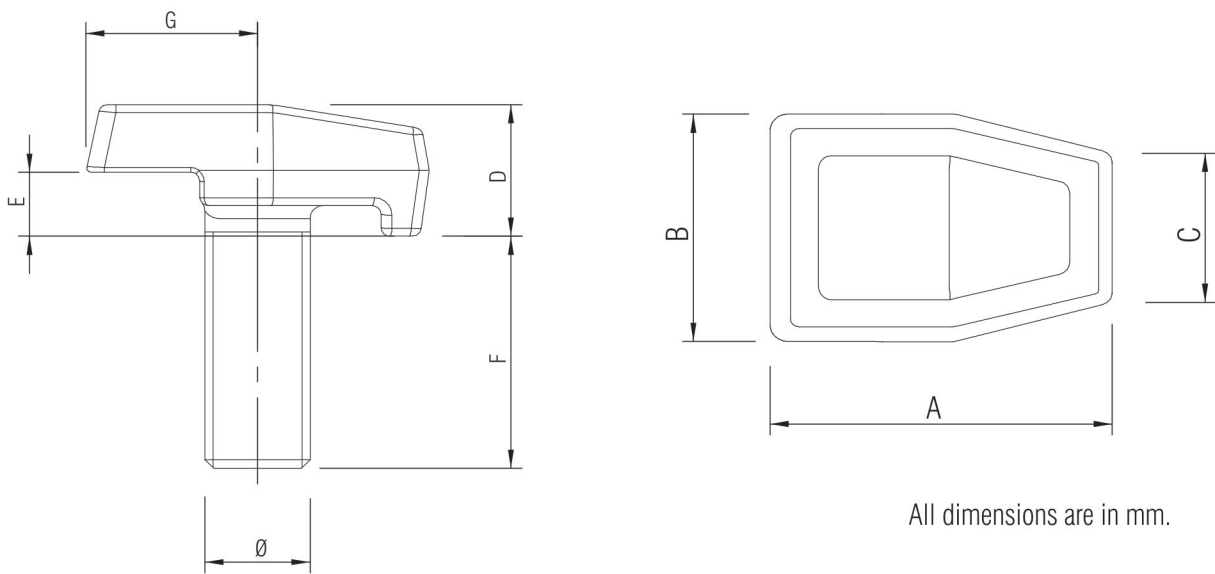


## Guide Clip



Oiled Steel With Mounted Nut & Washer



All dimensions are in mm.

Ø	A	B	C	D	E	F	G
mm	mm	mm	mm	mm	mm	mm	mm
	± 1.3	± 1.3	± 1.3	± 1.0	± 0.5	± 1.3	± 1.3
M10	32	23	15	13	5.5	22.5	16
M12	39	26	17	15	7.3	26.5	19.5
M14	45	29	17	18.5	9.5	36	21
M16	50	34	17	20	10.5	40	23.5