

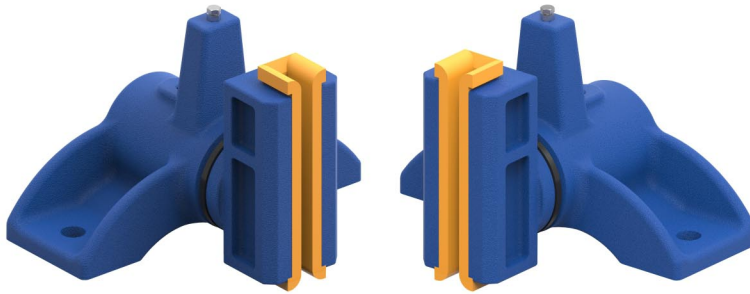
The **Quality** Inspires Trust

Guide Shoe



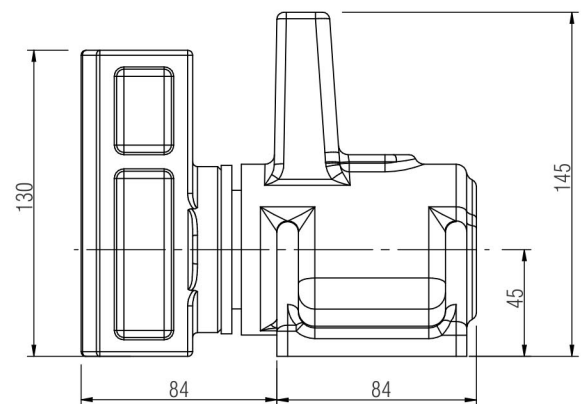
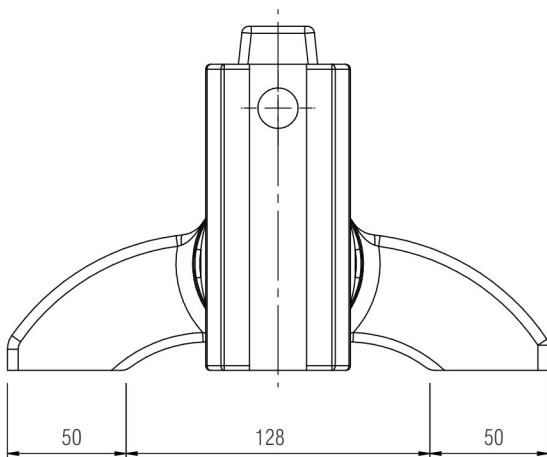
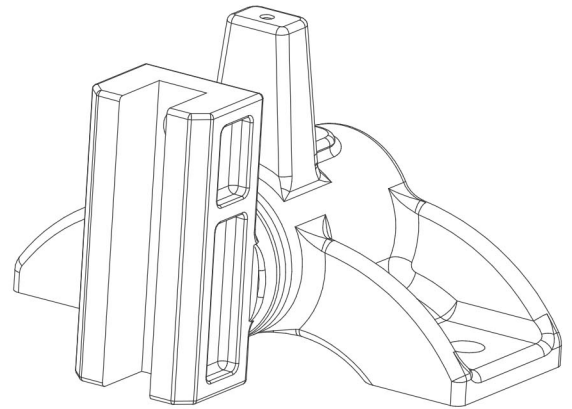
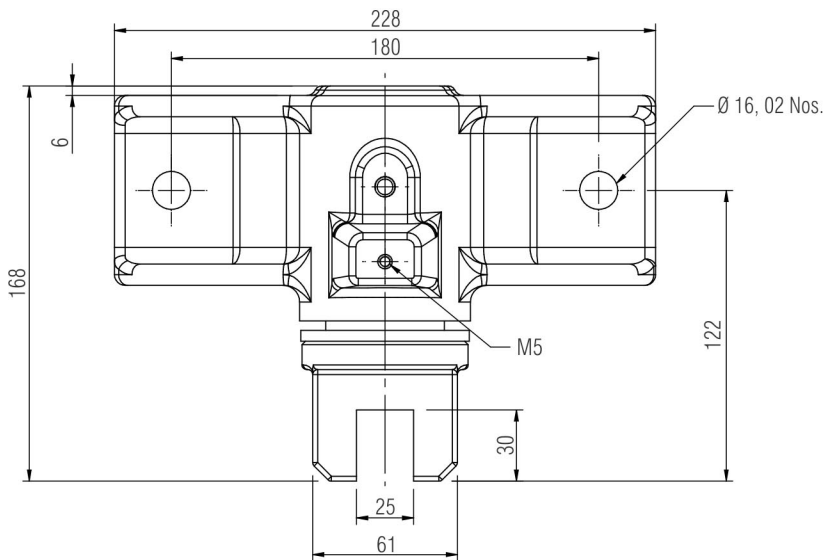
www.sharpengineers.com

Guide Shoe



Guide Shoe T-2500

- Load : 2500 daN
- Guide Rail : 14 to 16 mm
- Material : Cast Iron
- Adjustment : Pre-load Nut and Fixing Slots
- Maintenance : Lubricate According to Lift Instructions



All dimensions are in mm.