

The **Quality** Inspires Trust

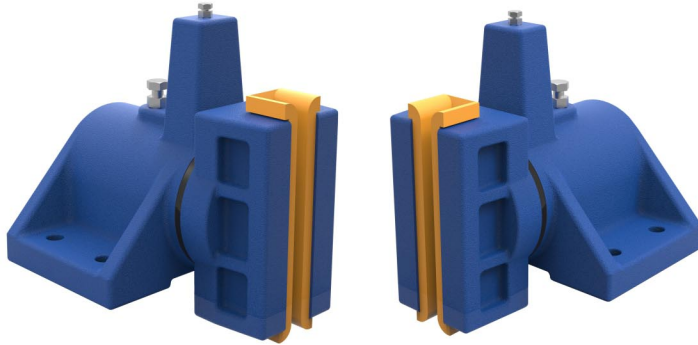
Guide Shoe



SHARP
ENGINEERS

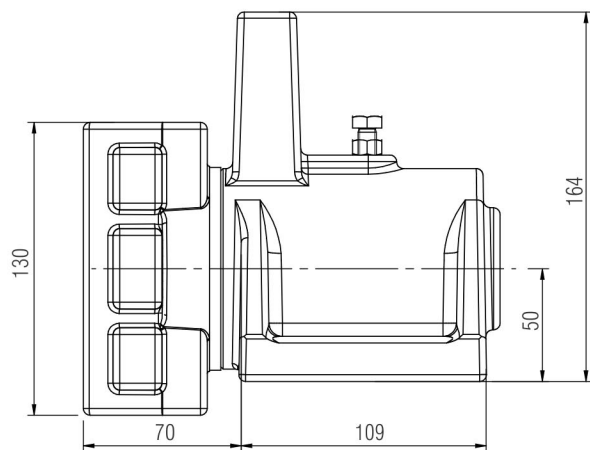
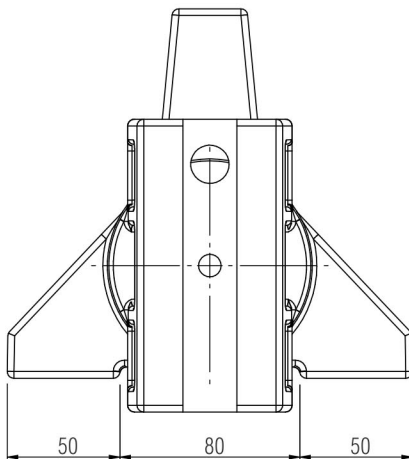
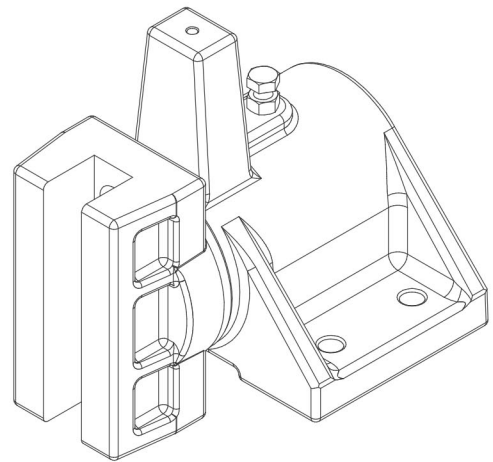
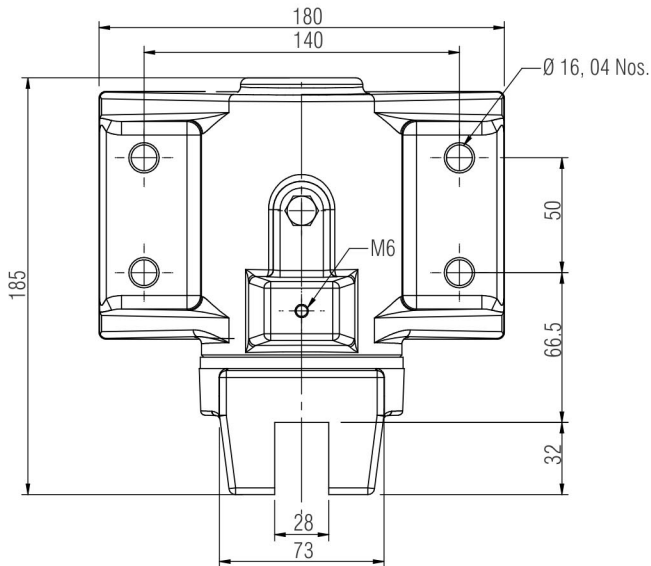
www.sharpengineers.com

Guide Shoe



Guide Shoe T-3500

- Load : 3500 daN
- Guide Rail : 14 to 16 mm
- Material : Cast Iron
- Adjustment : Pre-load Nut and Fixing Slots
- Maintenance : Lubricate According to Lift Instructions



All dimensions are in mm.