

The **Quality** Inspires Trust

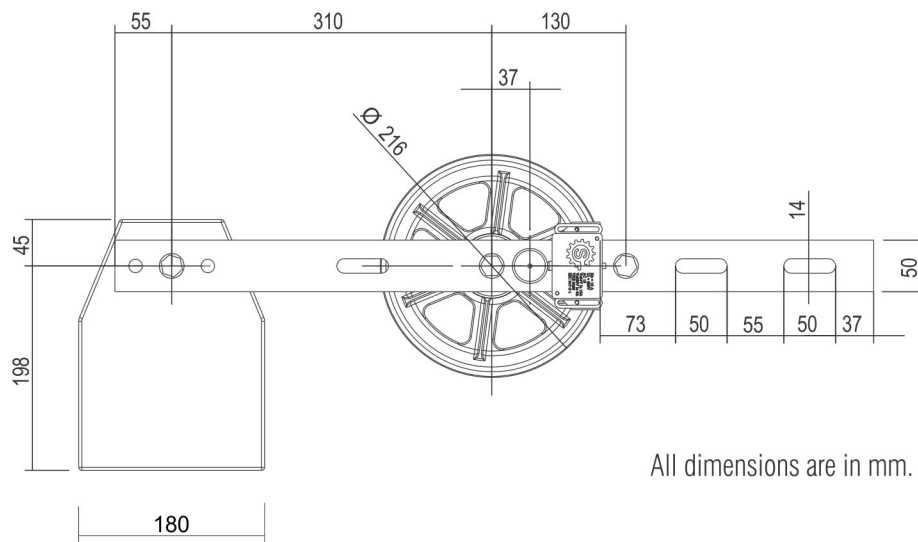
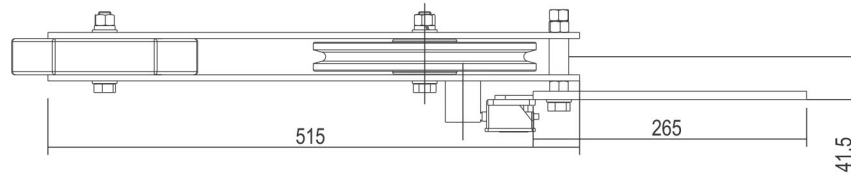
Tension Pulley



Over Speed Governor Bottom Pulley 200mm



SEOSGBT200



All dimensions are in mm.

Technical Specification

Pulley Diameter (D) mm	Counter Weight	Speed Governor Suitability	Direction
200	10, 13, 17, 22 Kg	OSGTP200MR	Down
200	10, 13, 17, 22 Kg	OSGTP200MRL	Up / Down

Material : Cast Iron Counterweight with steel bracket, Pulley with Grey cast iron:FG-260
Limit Switch Available in Optional