

The **Quality** Inspires Trust

Tension Pulley

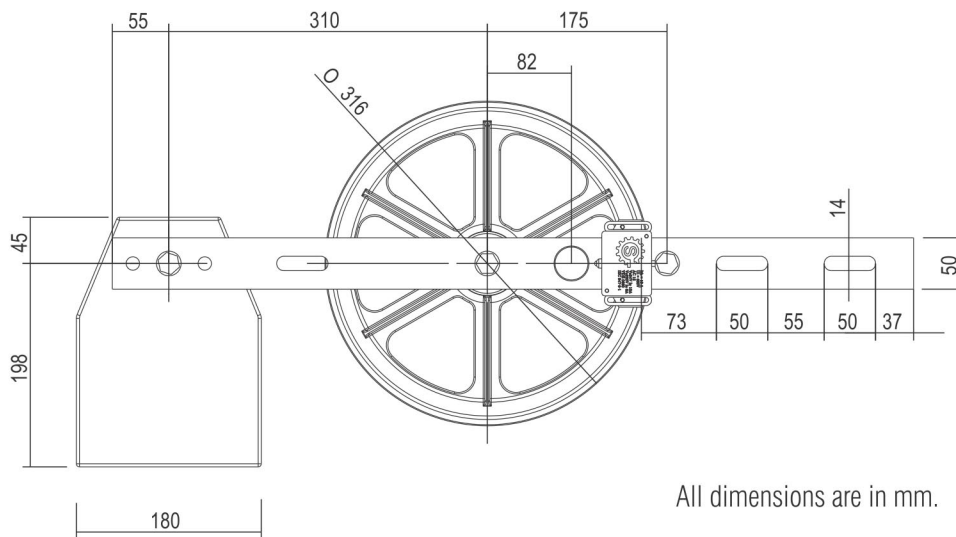
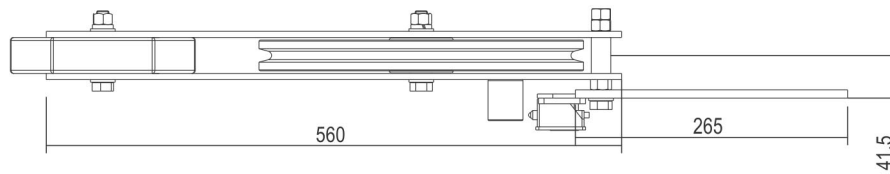


SHARP
ENGINEERS

www.sharpengineers.com



SEOSGBT300MRL



All dimensions are in mm.

Technical Specification

Pulley Diameter (D) mm	Limit Switch	C / Weight	Speed Governor Suitability	Direction
300	Yes	10, 13, 17, 22 Kg	OSGTP300MR	Down
300	Yes	10, 13, 17, 22 Kg	OSGTP300MRL	Up / Down

Material : Cast Iron Counterweight with steel bracket, Pulley with Grey cast iron:FG-260

info@sharpengineers.com