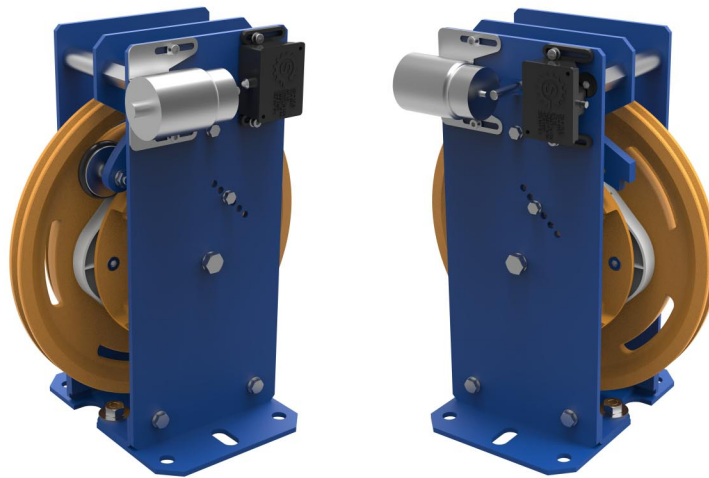


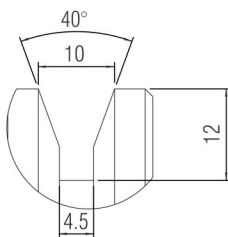
The **Quality** Inspires Trust

Over Speed Governor Top Pulley 300mm

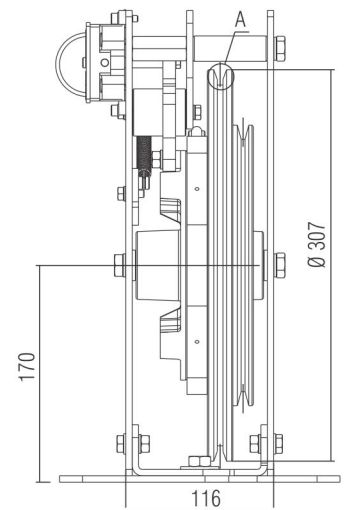
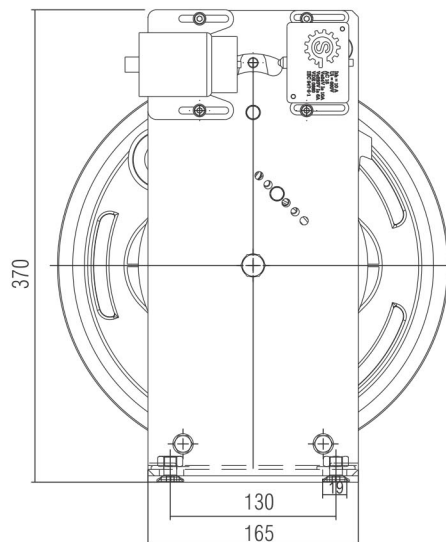
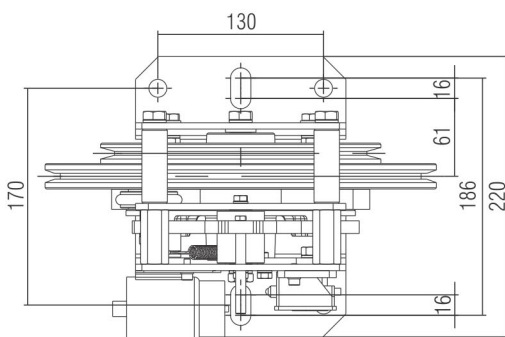


OSGTP300MRL

OSGTP300MR



DETAIL A



All dimensions are in mm.

Technical Specification

OSGTP300MR	Bi Directional for Machine Room
OSGTP300MRL	Bi Directional for Machine Roomless
Nominal Speed	0.32 – 1.00 m/s
Tripping Speed	0.40 – 1.25 m/s
Ø Rope	6 & 8 mm
Available with Limit switch, Test Groove & Remote Control for Machine Roomless Operation	