

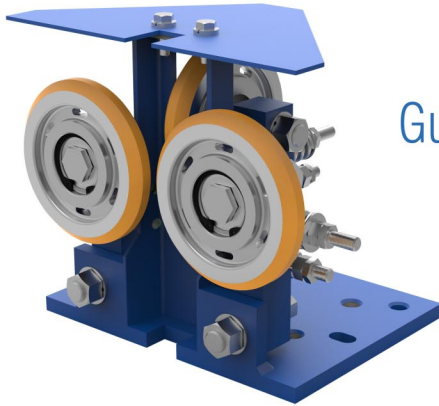
The **Quality** Inspires Trust

Roller Guide Shoe

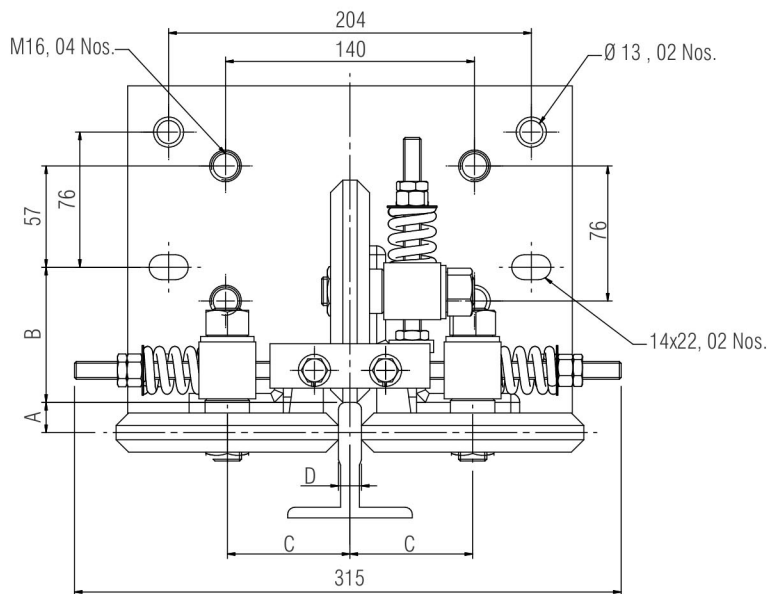
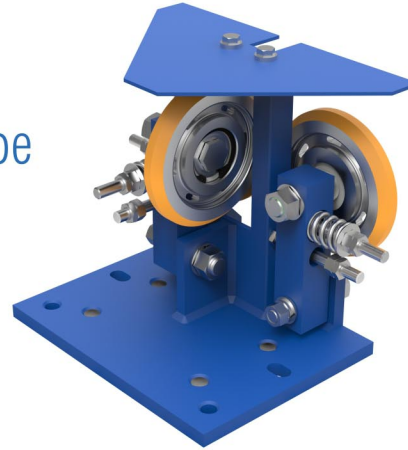


SHARP
ENGINEERS

www.sharpengineers.com

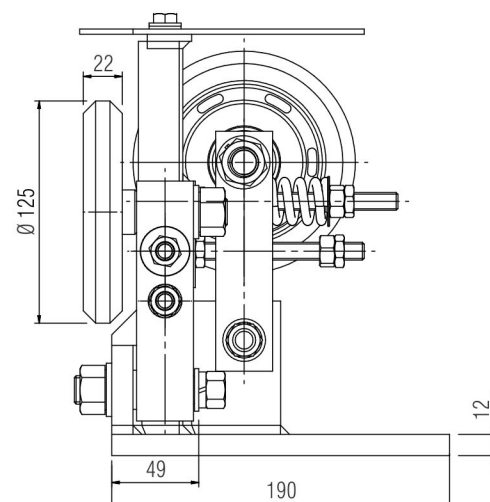
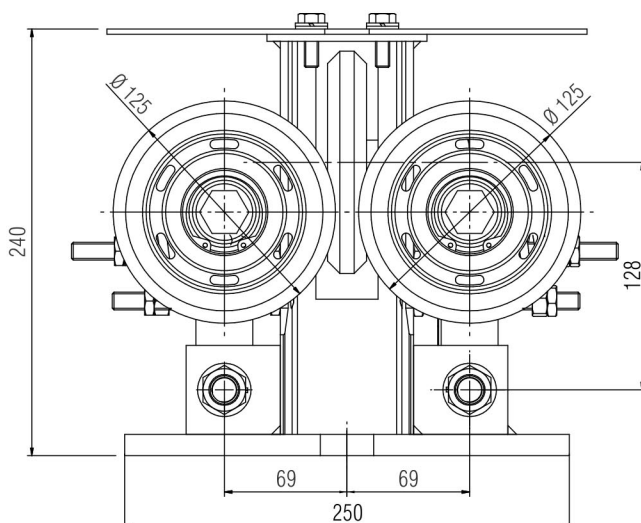


Roller Guide Shoe



	A	B	C
D = 16	17	76	70.5
D = 10	13	80	67.5
D = 9	13	80	67.5

Rated Speed	$V \leq 2.5$ m/s
Rated Load	≤ 1600 kg
Width of Guide Rail	9 mm, 10 mm, 16 mm
Dia. of Wheel	125 mm



All dimensions are in mm.