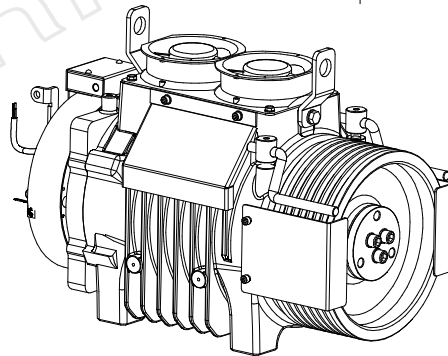


$\text{Ø}8.0 \text{ mm X } 6 \text{ GRV X } 15\text{mm PITCH}$   
 $\text{Ø}8.0 \text{ mm X } 7 \text{ GRV X } 15\text{mm PITCH}$



ALL DIMENSION ARE IN MM UNLESS OTHERWISE SPECIFIED.

THE INFORMATION CONTAINED IN THIS DRAWING IS THE ONLY PROPERTY OF SHARP ENGINEERS ANY REPRODUCTION IN PART OR AS WHOLE WITHOUT THE WRITTEN PERMISSION OF SHARP ENGINEERS IS PROHIBITED.

REVISION No.	DESCRIPTION	DATE	APPROVED BY	DRWN BY KM	SIZE A4	SCALE 1:1	TITLE:-	SEG-40 G.A.DRAWING	
				DRWN DATE 14/07/2017					