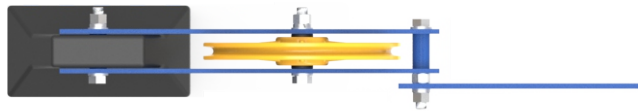
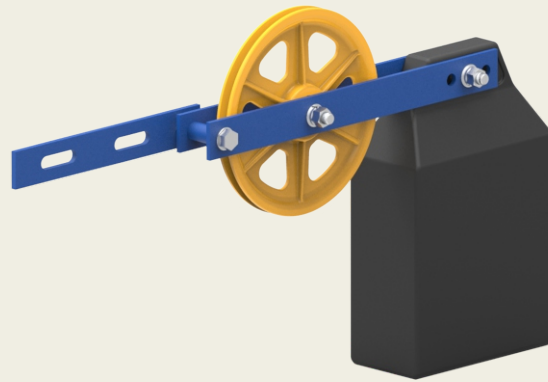
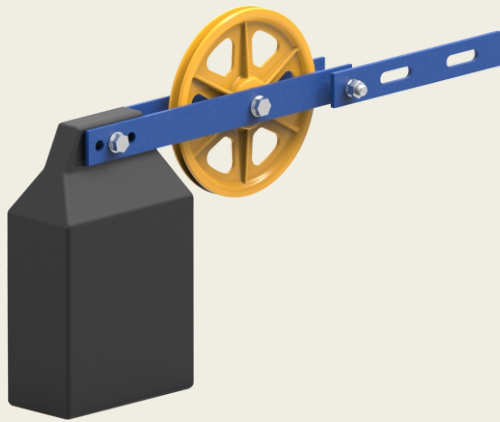


# Over Speed Governor

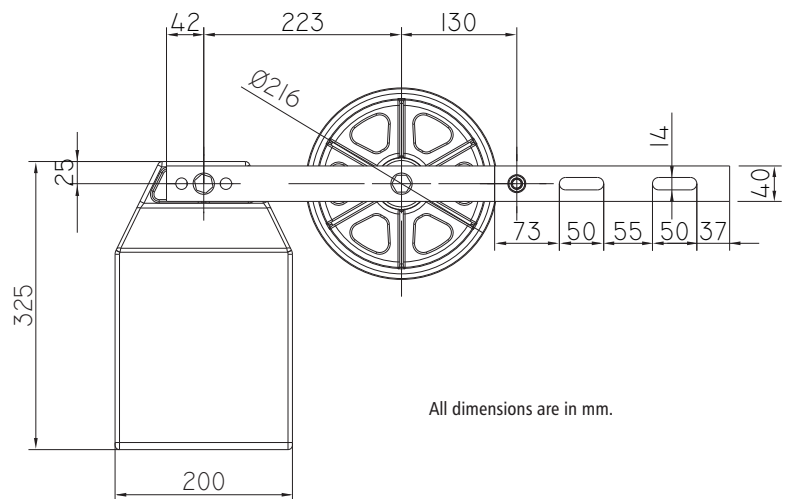
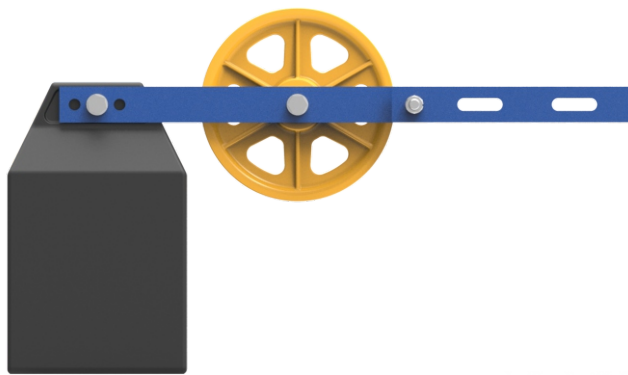
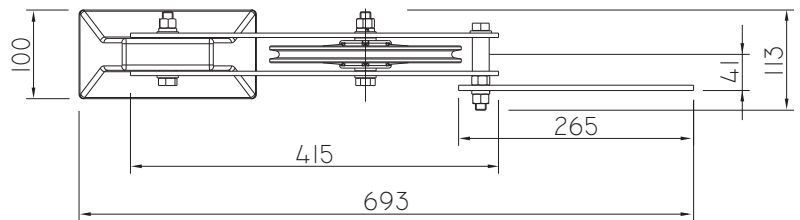
## Tension Pulley 200mm

(Machine Room)

The **Quality** Inspires Trust



### Technical Drawing



All dimensions are in mm.

### Technical Specification

Pulley Diameter (D) mm	Counter Weight	Speed Governor Suitability	Direction
200	14 Kg	OSGTP200MR	Up / Down



552, 'A' Road, Cross Road-12,  
G.I.D.C. Kathwada, Ahmedabad-382430.  
Gujarat, India.

Phone : + 91 79 2290 1711, 12,14, 15.  
E-mail : [info@sharpengineers.com](mailto:info@sharpengineers.com)  
Website : [www.sharpengineers.com](http://www.sharpengineers.com)