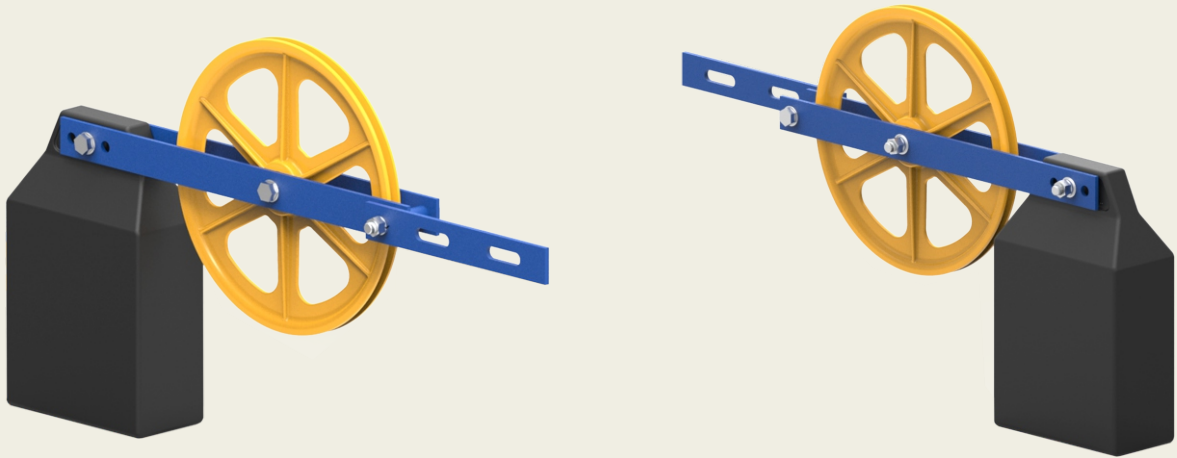


# Over Speed Governor

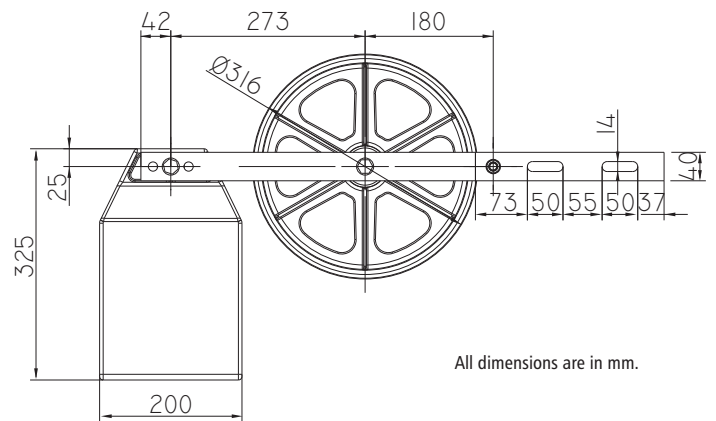
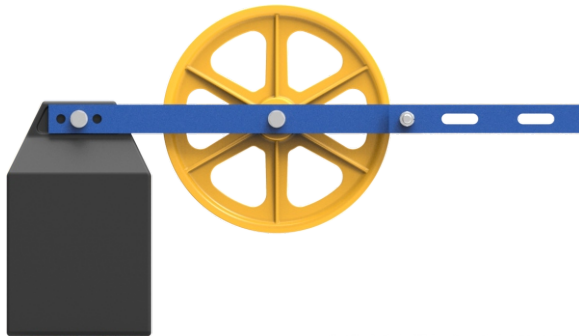
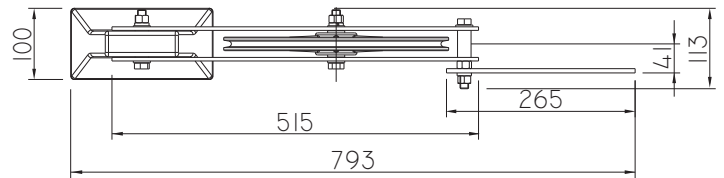
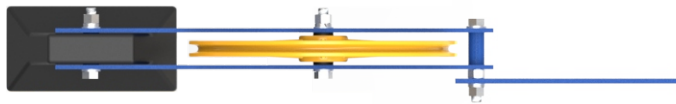
## Tension Pulley 300mm

(Machine Room)

The **Quality** Inspires Trust



### Technical Drawing



All dimensions are in mm.

### Technical Specification

Pulley Diameter (D) mm	Counter Weight	Speed Governor Suitability	Direction
300	14 Kg	OSGTP300RUD	Down
300	14 Kg	OSGTP300RBD	Up / Down