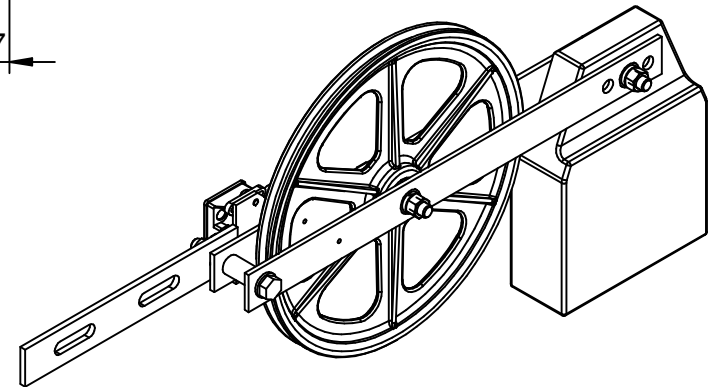
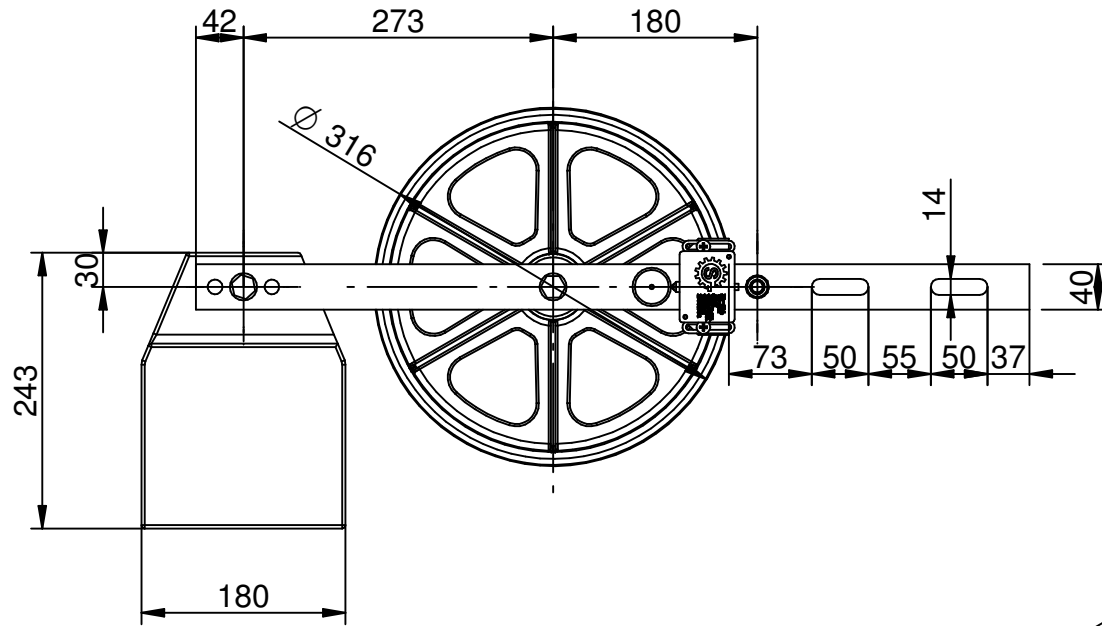
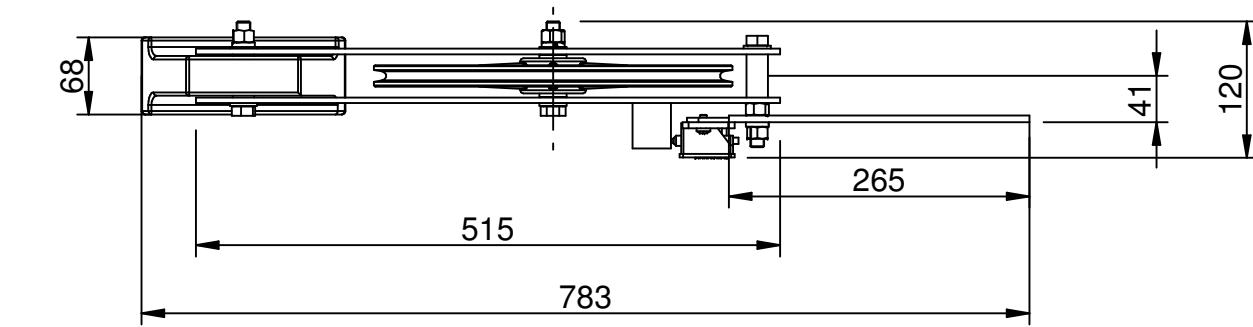


THE INFORMATION CONTAINED IN THIS DRAWING IS THE ONLY PROPERTY OF SHARP ENGINEERS ANY REPRODUCTION IN PART OR AS WHOLE WITHOUT THE WRITTEN PERMISSION OF SHARP ENGINEERS IS PROHIBITED.

ALL DIMENSION ARE IN MM UNLESS OTHERWISE SPECIFIED.



REVISION No.	DESCRIPTION	DATE	APPROVED BY	DRWN BY ANKIT PATEL	SIZE A4	SCALE	TITLE:- G.A.DRAWING OSG TENSION PULLEY 300 MRL
				DRWN DATE 14/07/2022			

