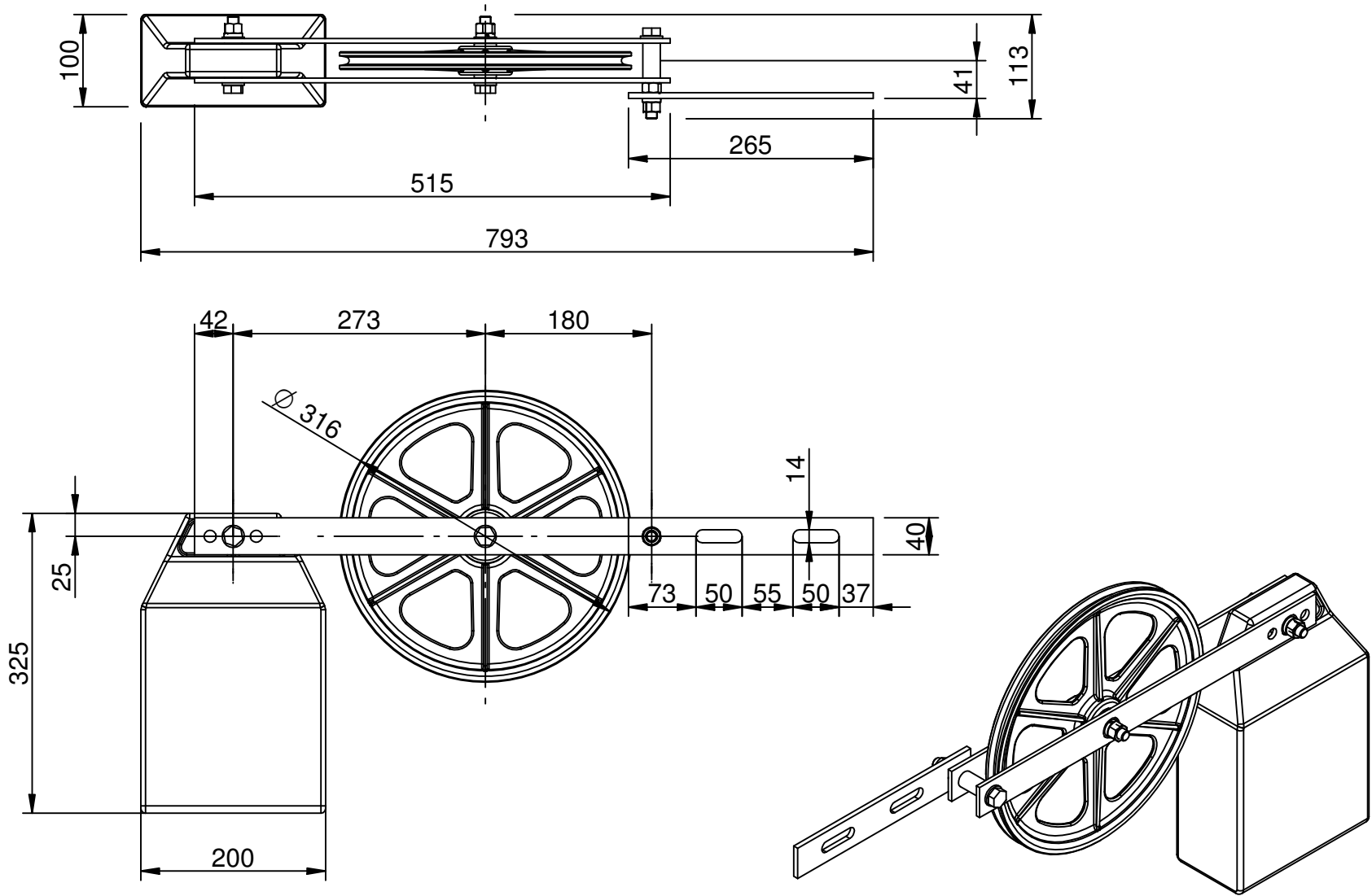
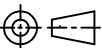



THE INFORMATION CONTAINED IN THIS DRAWING IS THE ONLY PROPERTY OF SHARP ENGINEERS  
 ANY REPRODUCTION IN PART OR AS WHOLE WITHOUT THE WRITTEN PERMISSION OF SHARP  
 ENGINEERS IS PROHIBITED.



REVISION No.	DESCRIPTION	DATE	APPROVED BY	DRWN BY ANKIT PATEL DRWN DATE 14/07/2022	SIZE A4	SCALE 	TITLE:- G.A.DRAWING OSG TENSION PULLEY 300 MR	
--------------	-------------	------	-------------	---	------------	--	---	---