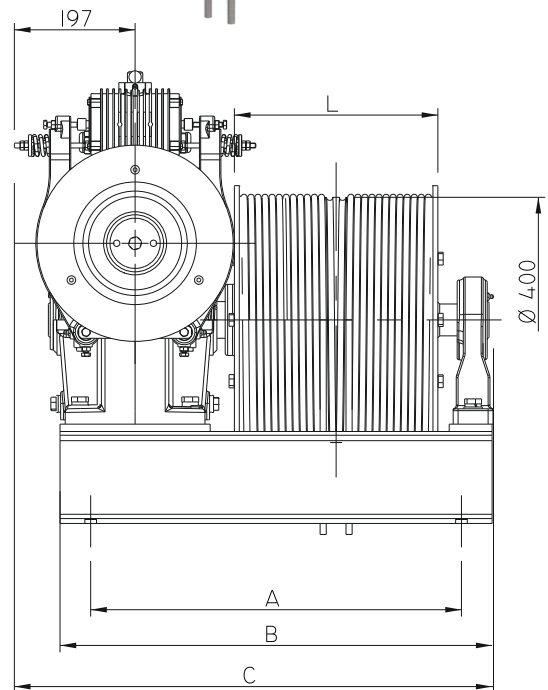
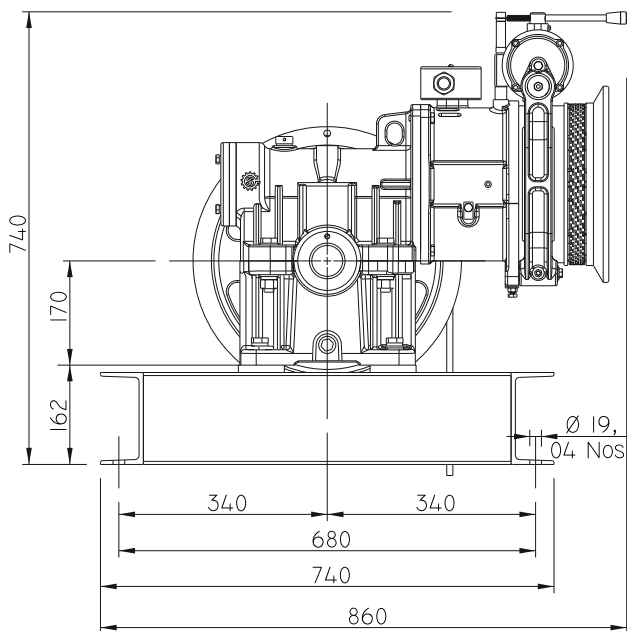
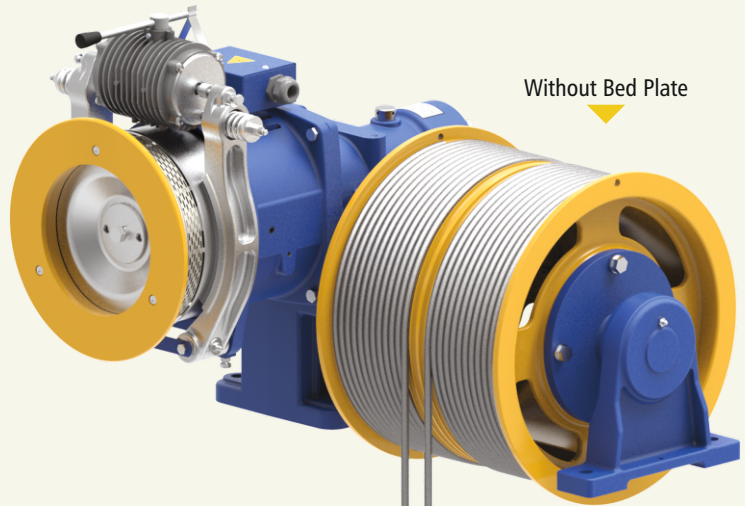
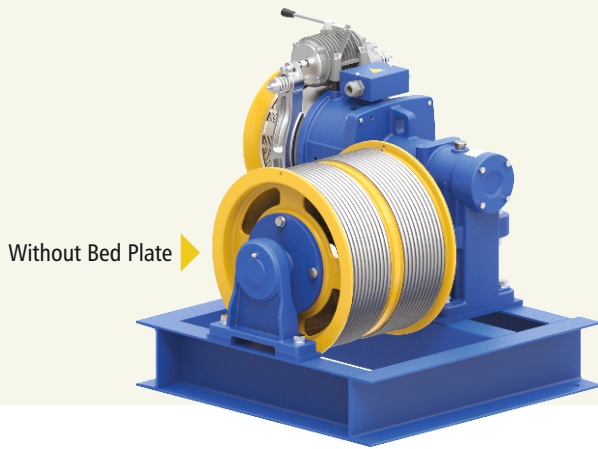




CAULDRON[®]-125 N DRUM TYPE



(All dimensions are in mm)

Travelling (mtr)	Drum L (mm)	A (mm)	B (mm)	C (mm)	N x Ø D
12	332	605	705	782	2 x Ø 10
21	498	771	871	948	2 x Ø 10

Roping 1:1

Machine	Max. Load Carrying Capacity Including Cabin Weight	Async. Speed	Gear Ratio	Motor Detail		RPM	Drum Dia	Rope Dia	Ropes	Max. Travel
	(Kg)	(m/sec)		(kw)	(HP)					
CAULDRON 125N	500	0.57	1/52	5.5	7.5	1440	400	10	2 (1+1)	21