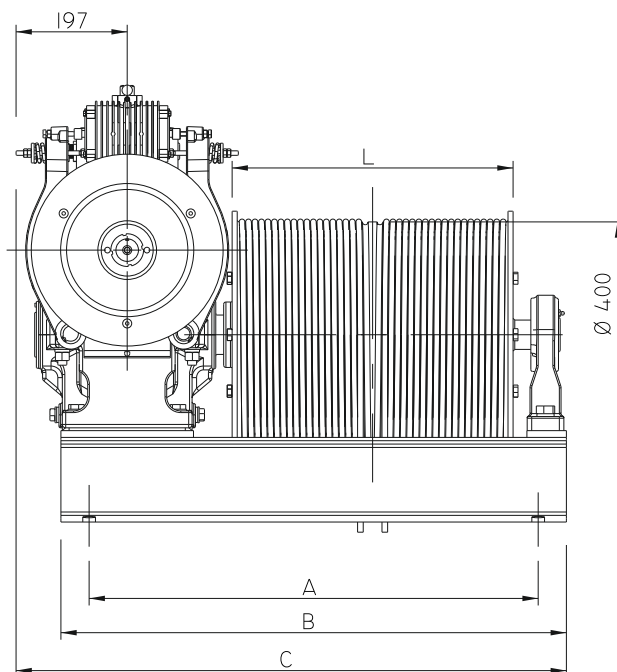
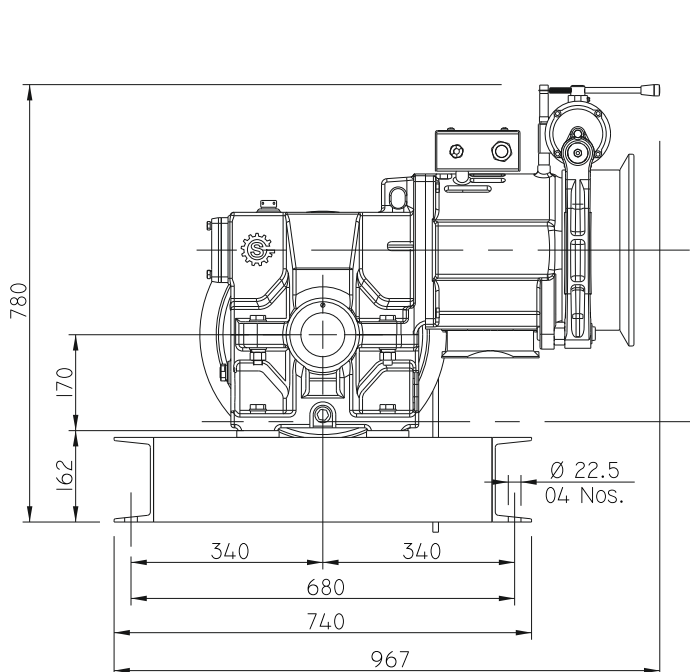
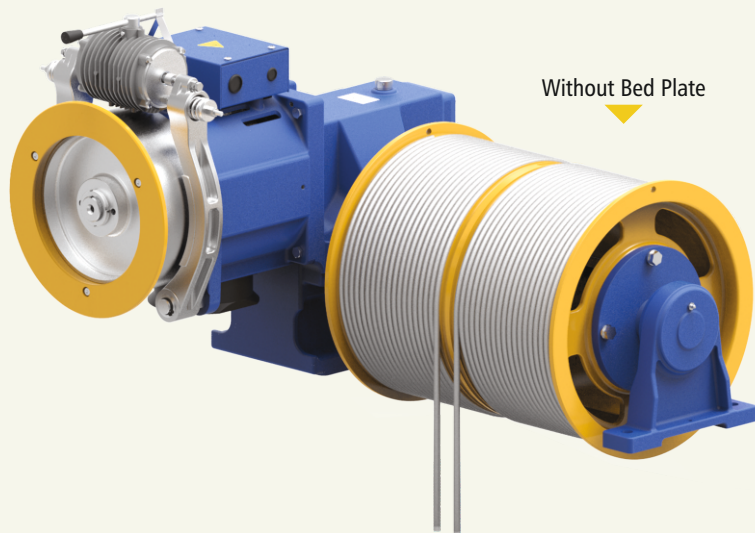
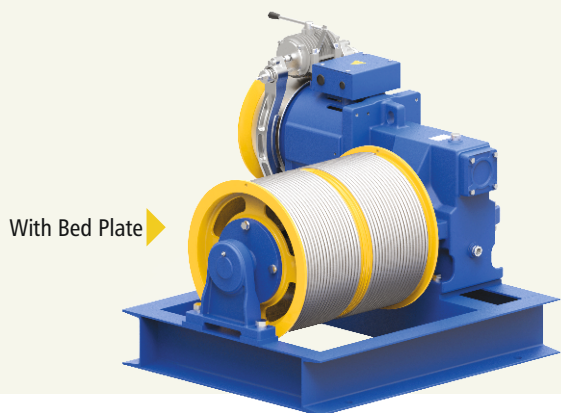




CAULDRON[®]-150

DRUM TYPE



(All dimensions are in mm)

Travelling (mtr)	Drum L (mm)	A (mm)	B (mm)	C (mm)	N x Ø D
12	332	630	730	810	2 x Ø 10
21	498	796	896	976	2 x Ø 10

Roping 1:1

Machine	Max. Load Carrying Capacity Including Cabin Weight	Async. Speed (m/sec)	Gear Ratio	Motor Detail		RPM (Async.)	Drum Dia (mm)	Rope Dia (mm)	Ropes	Max. Travel (mtr)
	(Kg)			(kw)	(HP)					
CAULDRON 150	1000	0.50	1/59	9.0	12.5	1440	400	10	2 (1+1)	21