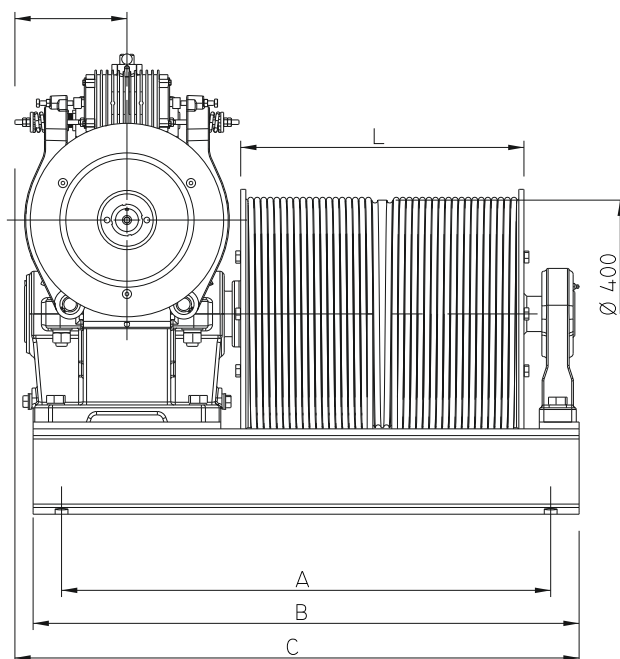
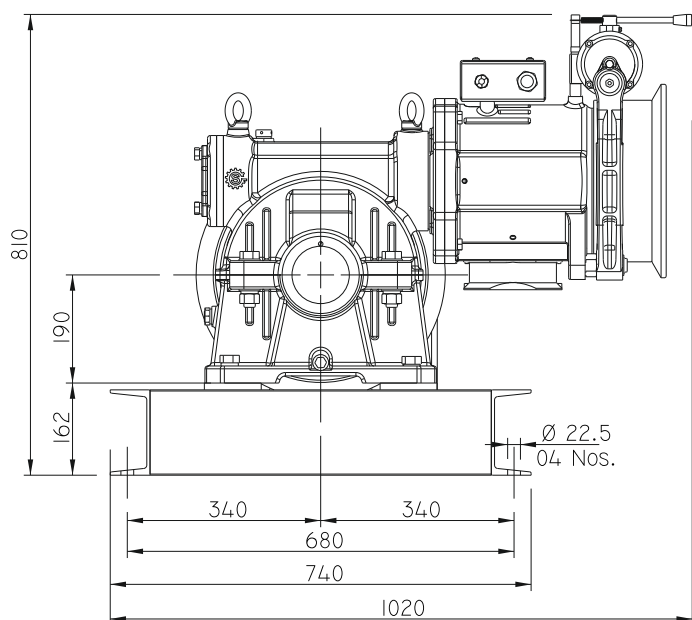
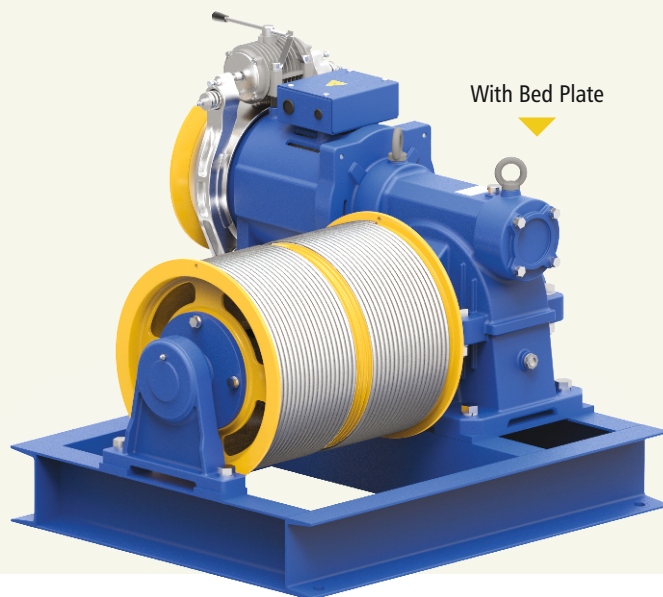
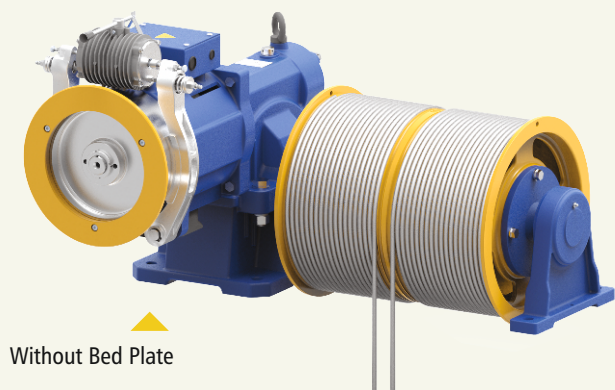


## CAULDRON<sup>®</sup>-165 N DRUM TYPE



(All dimensions are in mm)

Travelling (mtr)	Drum L (mm)	A (mm)	B (mm)	C (mm)	N x $\varnothing$ D
12	332	694	794	832	2 x $\varnothing$ 10
21	498	860	960	998	2 x $\varnothing$ 10

### Roping 1:1

Machine	Max. Load Carrying Capacity Including Cabin Weight	Async. Speed	Gear Ratio	Motor Detail		RPM	Drum Dia	Rope Dia	Ropes	Max. Travel
	(Kg)	(m/sec)		(kw)	(HP)	(Async.)	(mm)	(mm)		(mtr)
CAULDRON 165N	1250	0.55	1/55	11.0	15.0	1440	400	10	2 (1+1)	21