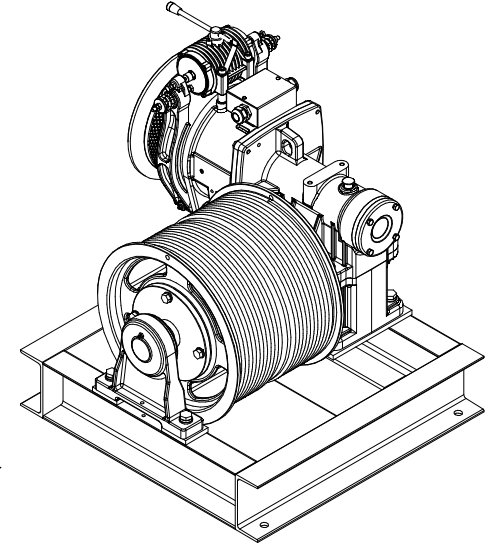
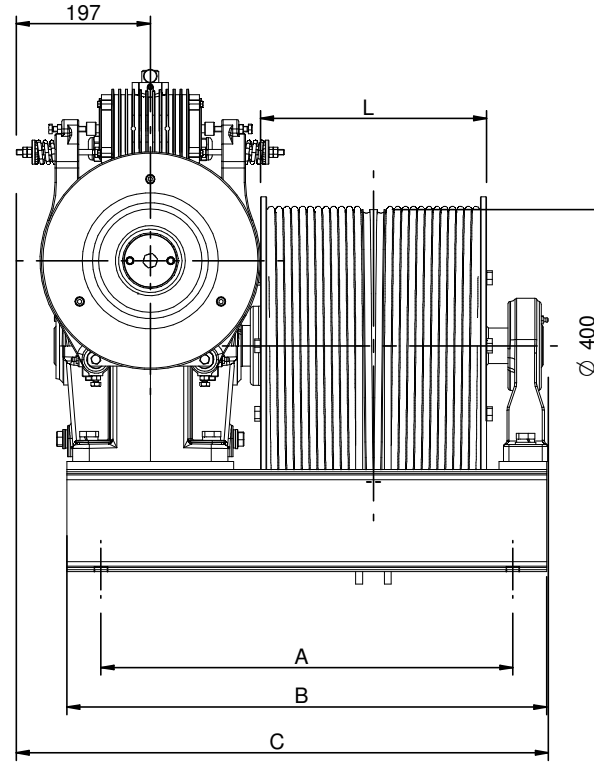
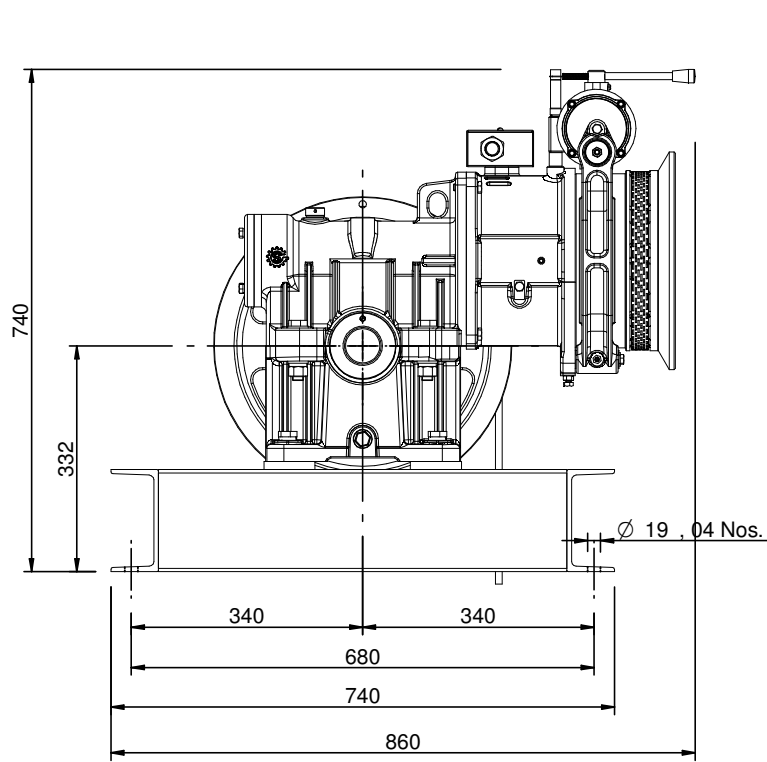
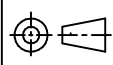



CAL-125 N GA DRW FOR DRUM TYPE MACHINE



Travelling (mtr)	Drum L (mm)	A (mm)	B (mm)	C (mm)	N x Ø D
12	332	605	705	782	2 x Ø 10
21	498	771	871	948	2 x Ø 10

THE INFORMATION CONTAINED IN THIS DRAWING IS THE ONLY PROPERTY OF SHARP ENGINEERS
 ANY REPRODUCTION IN PART OR AS WHOLE WITHOUT THE WRITTEN PERMISSION OF SHARP
 ENGINEERS IS PROHIBITED.

REVISION No.	DESCRIPTION	DATE	APPROVED BY	DRWN BY v p	SIZE A4	SCALE		TITLE:- CAL-125 N G.A. DRAWING DRUM TYPE MACHINE	
--------------	-------------	------	-------------	----------------	------------	-------	---	---	---