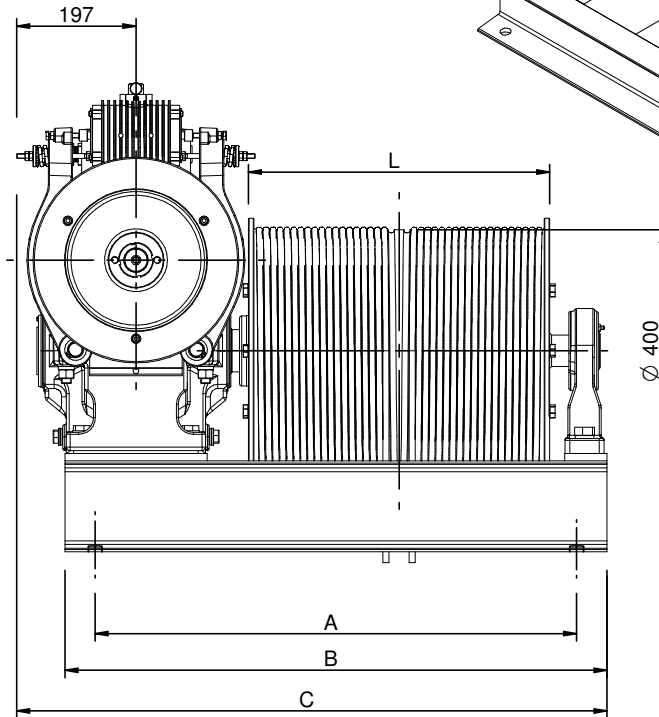
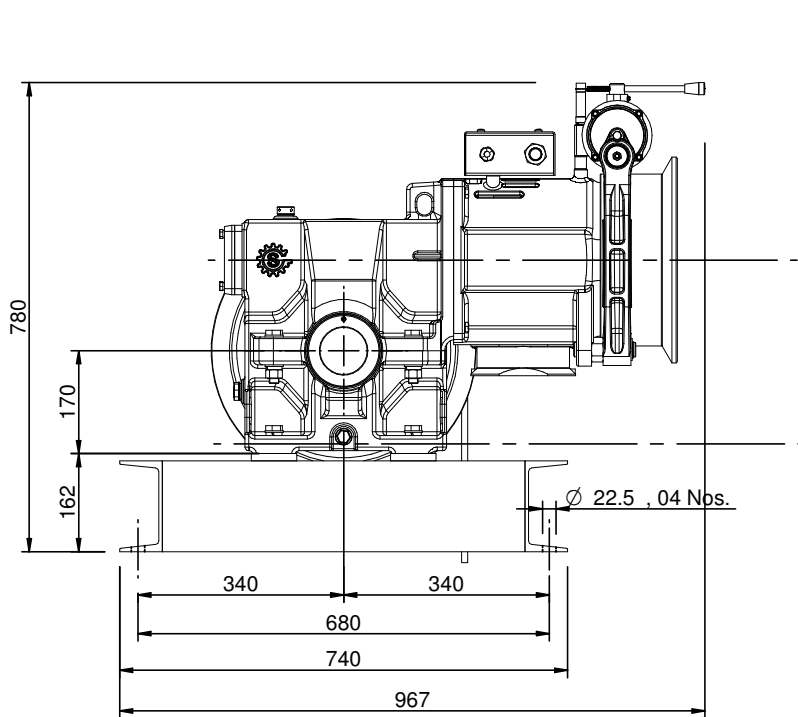
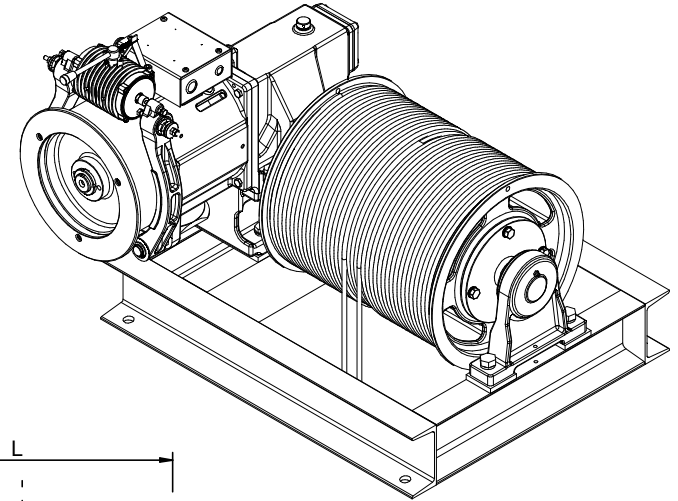


CAL-150 GA DRW FOR DRUM TYPE MACHINE



Travelling (mtr)	Drum L (mm)	A (mm)	B (mm)	C (mm)	N x Ø D
12	332	630	730	810	2 x Ø 10
21	498	796	896	976	2 x Ø 10

THE INFORMATION CONTAINED IN THIS DRAWING IS THE ONLY PROPERTY OF SHARP ENGINEERS. ANY REPRODUCTION IN PART OR AS WHOLE WITHOUT THE WRITTEN PERMISSION OF SHARP ENGINEERS IS PROHIBITED. ALL DIMENSION ARE IN MM UNLESS OTHERWISE SPECIFIED.

REVISION No.	DESCRIPTION	DATE	APPROVED BY	DRWN BY v p	SIZE A4	SCALE	TITLE:- CAL-150 G.A. DRAWING DRUM TYPE MACHINE
				DRWN DATE 19/08/2023			

