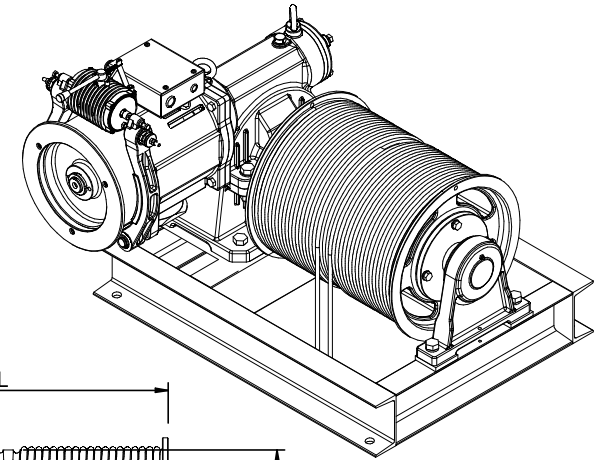
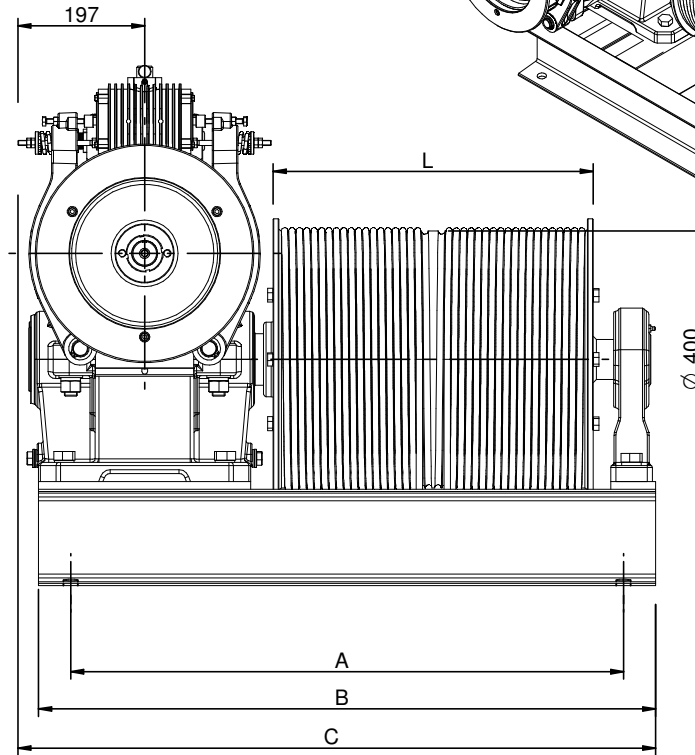
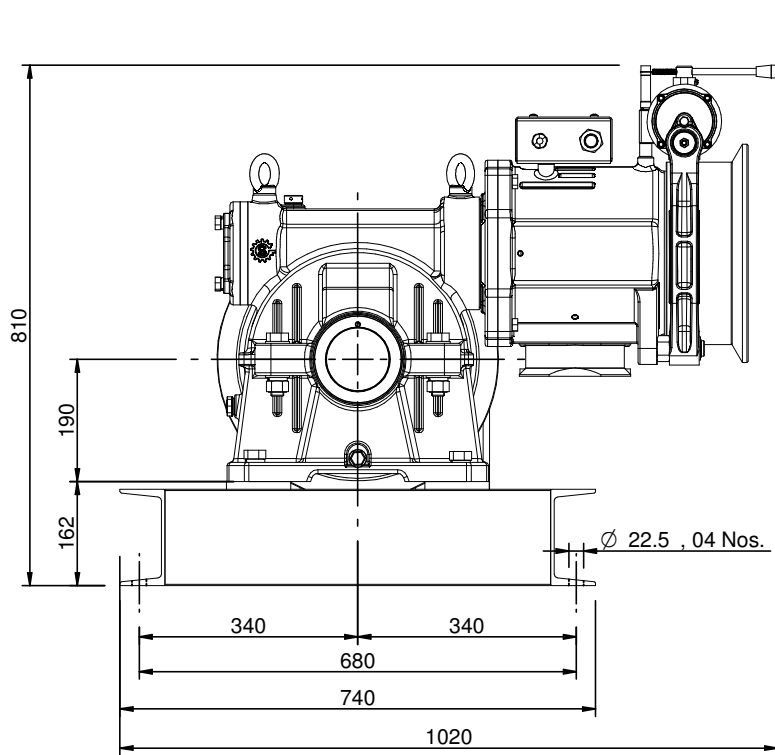


CAL-165 N GA DRW FOR DRUM TYPE MACHINE



Travelling (mtr)	Drum L (mm)	A (mm)	B (mm)	C (mm)	N x Ø D
12	332	694	794	832	2 x Ø 10
21	498	860	960	998	2 x Ø 10

THE INFORMATION CONTAINED IN THIS DRAWING IS THE ONLY PROPERTY OF SHARP ENGINEERS
 ANY REPRODUCTION IN PART OR AS WHOLE WITHOUT THE WRITTEN PERMISSION OF SHARP
 ENGINEERS IS PROHIBITED.

REVISION No.	DESCRIPTION	DATE	APPROVED BY	DRWN BY v p	SIZE A4	SCALE 1:12.5	TITLE:- CAL-165 N G.A. DRAWING DRUM TYPE MACHINE
--------------	-------------	------	-------------	----------------	------------	-----------------	--

