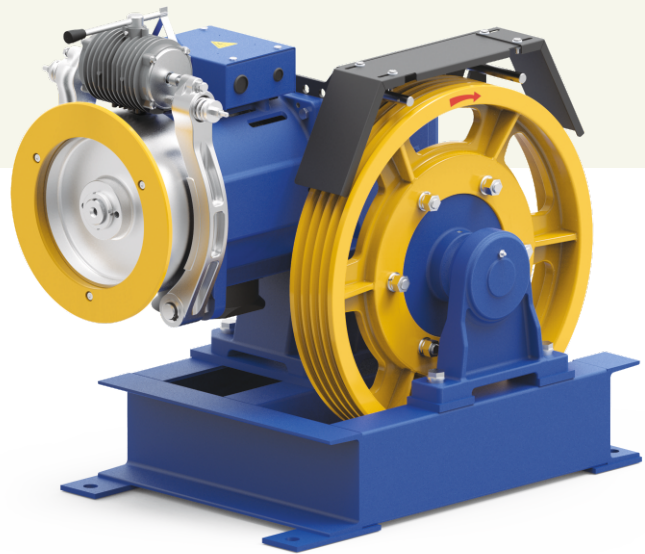


CAULDRON SERIES

| Geared Traction Machine |

CAULDRON[®]-135N



Static Load (kg)
3800



Gear Ratio
1/45



Oil Capacity (Ltr)
3.5

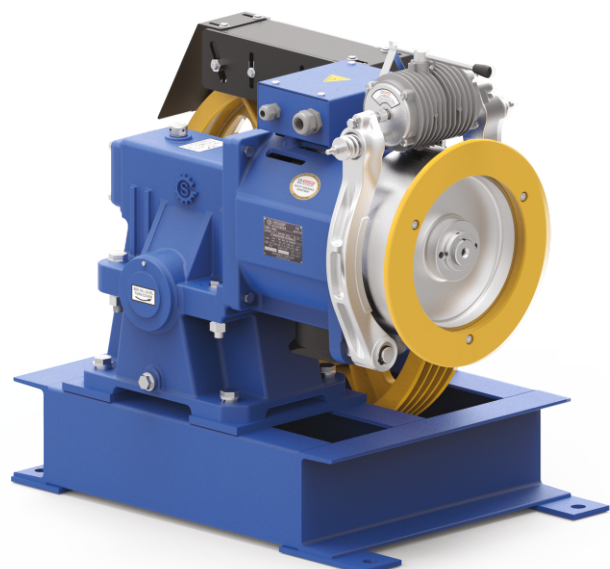


Brake Voltage (DC)
110V, 220V



Weight of Machine (kg)
310*

* Weight of machine is varies according to selection of sheave, Motor.



Geared Traction Machine



Listed loads don't include the rope's weight.
In order to know the net loads capacity, subtract rope's weight from the listed loads.

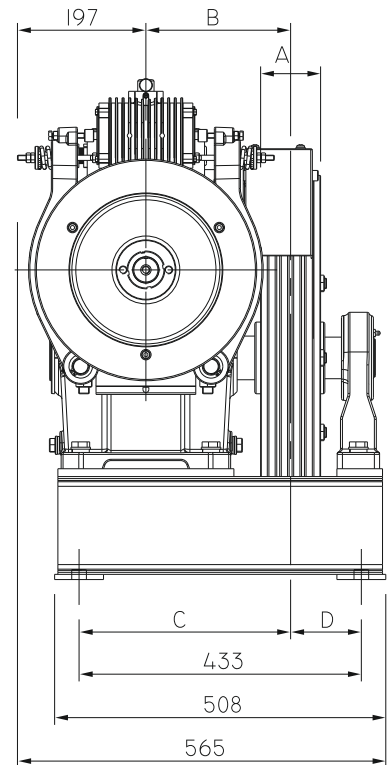
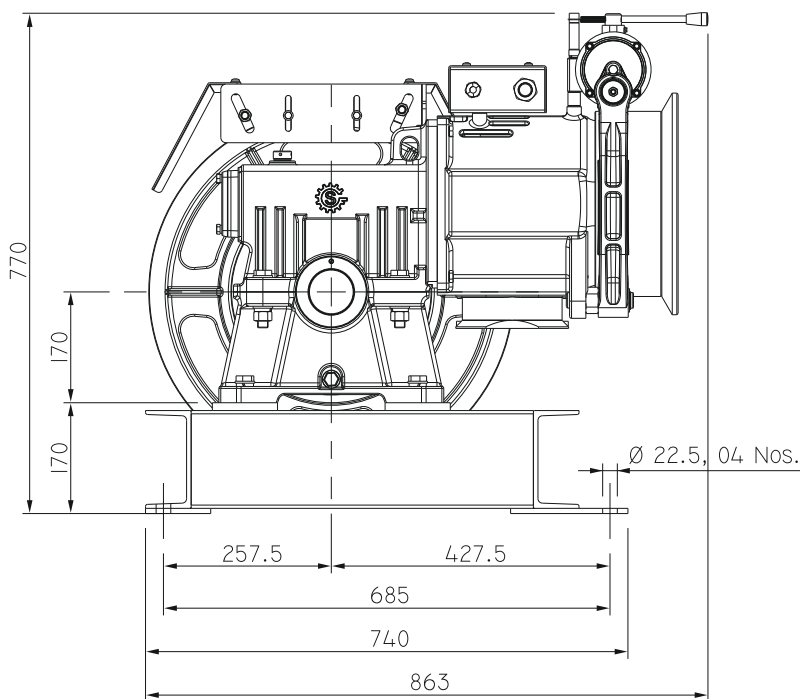
Position of the gearbox Up
Counter weight 50%
Plant efficiency 0.80

AC VVVF 400 V 50 Hz Travelling : - 30 mtr

Machine	Duty Load		Roping	Async. Speed (m/sec)	Ratio	Motor Detail		RPM (Async.)	Rated Current (A)	Sheave Specification Sheave Dia x Rope Dia. X No. of Groove
	Person	Kg				(kw)	(HP)			
CAL - 135N	10	680	1:1	1.00	1/45	7.5	10.0	1423	14.5	Ø 560 X 13mm X 4 Grv.
	1000		2:1	0.50	1/45	5.5	7.5	1455	11.5	Ø 560 X 13mm X 3 Grv.

Kindly contact us for various speed and load combination

ØP	A	B	C	D
Ø530 - Ø560	72	224	326.5	106.5
Ø530 - Ø560	92	222	324.5	108.5



(All dimensions are in mm)