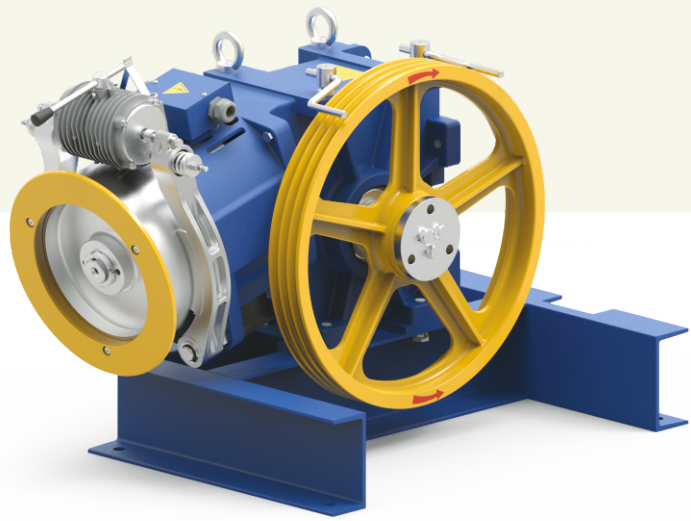


# MP1-R1



**Static Load (kg)**  
3000



**Gear Ratio**  
1/41



**Oil Capacity (Ltr)**  
3.0

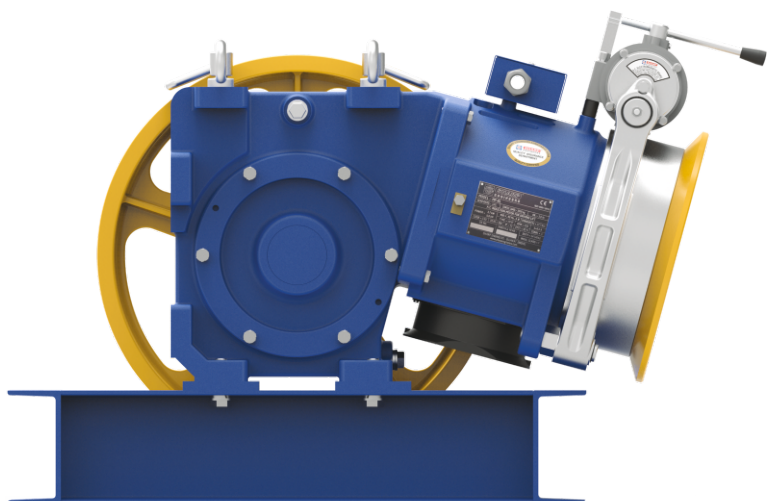


**Brake Voltage (VDC)**  
110V, 220V



**Weight of Machine (kg)**  
258\*

\* Weight of machine is varies according to selection of sheave, Motor.



# Geared Traction Machine



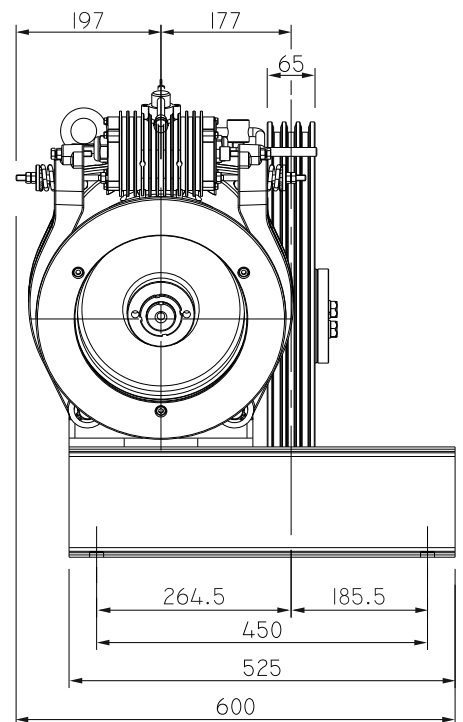
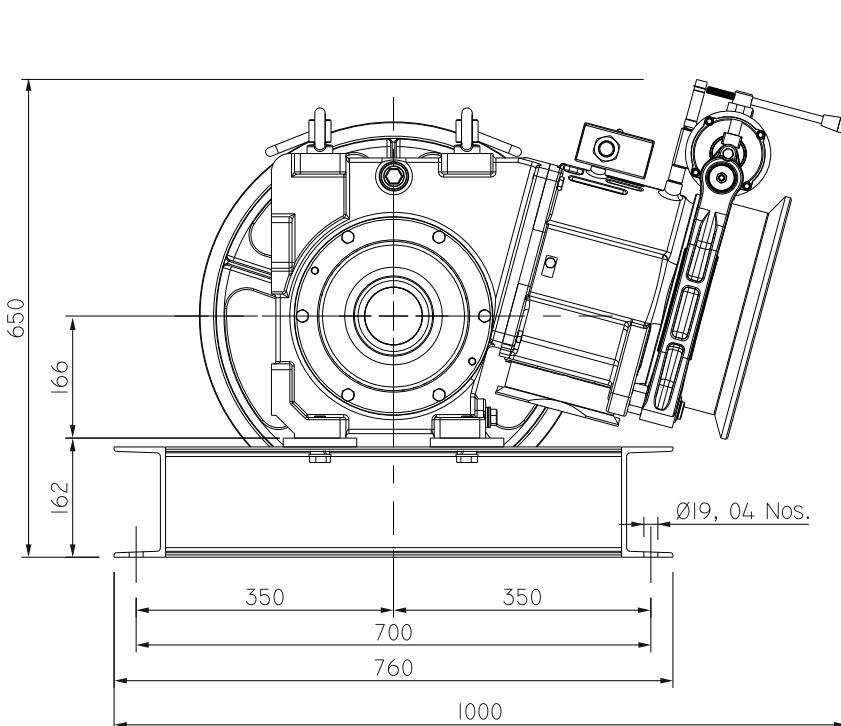
Listed loads don't include the rope's weight.  
In order to know the net loads capacity, subtract rope's weight from the listed loads.

Position of the gearbox Up  
Counter weight 50%  
Plant efficiency 0.80

AC VVVF 400 V 50 Hz Travelling : - 30 mtr

Machine	Duty Load		Roping	Async. Speed	Ratio	Motor Detail		RPM (Async.)	Rated Current (A)	Sheave Specification
	Person	Kg		(m/sec)		(kW)	(HP)			Sheave Dia x Rope Dia. X No. of Groove
MP-61 R1	8	544	1:1	1.00	1/41	5.5	7.5	1455	11.5	Ø 530 x 13mm x 3 Grv

Kindly contact us for various speed and load combination



(All dimensions are in mm)