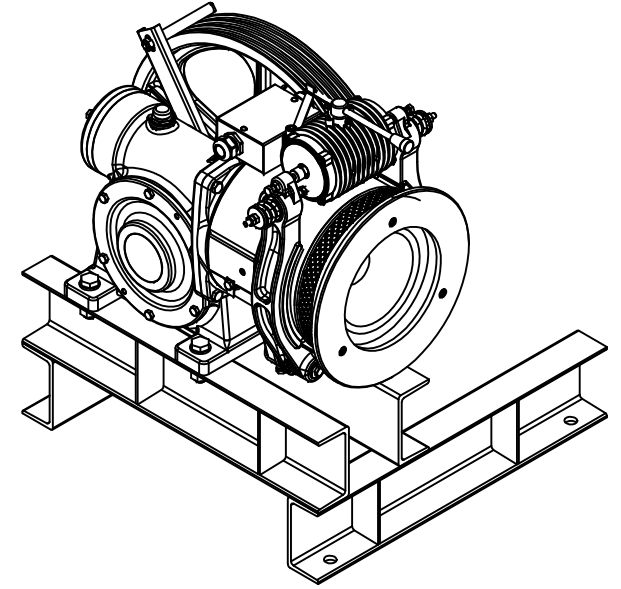
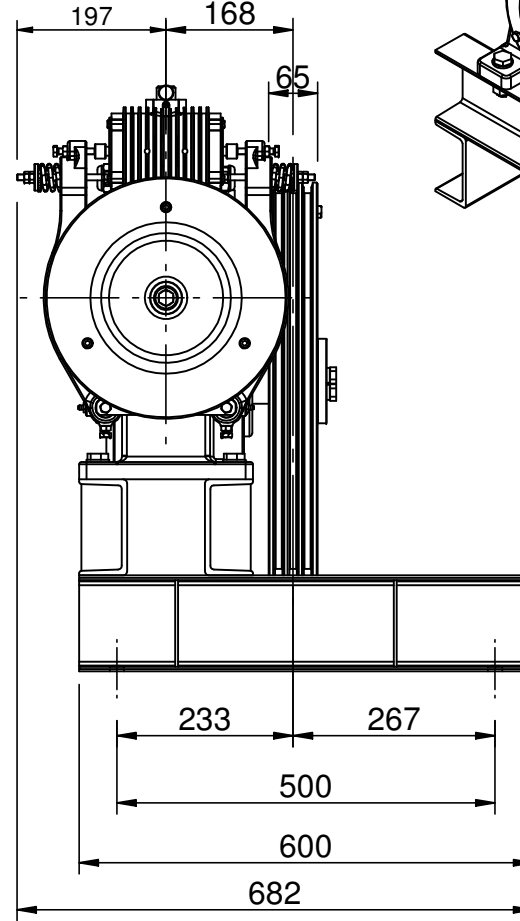
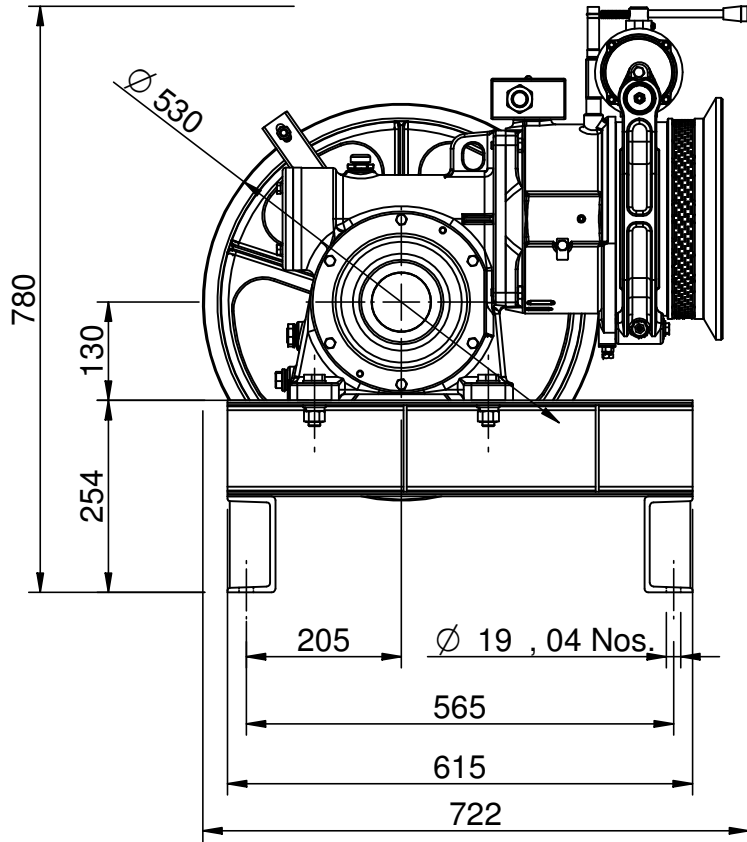


THE INFORMATION CONTAINED IN THIS DRAWING IS THE ONLY PROPERTY OF SHARP ENGINEERS
 ANY REPRODUCTION IN PART OR AS WHOLE WITHOUT THE WRITTEN PERMISSION OF SHARP
 ENGINEERS IS PROHIBITED.



REVISION No.

DESCRIPTION

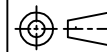
DATE

APPROVED BY

DRWN BY
 ANKIT PATEL
 DRWN DATE
 21/06/2023

SIZE
 A4

SCALE



TITLE:-

STARK
 GA DRW RH

