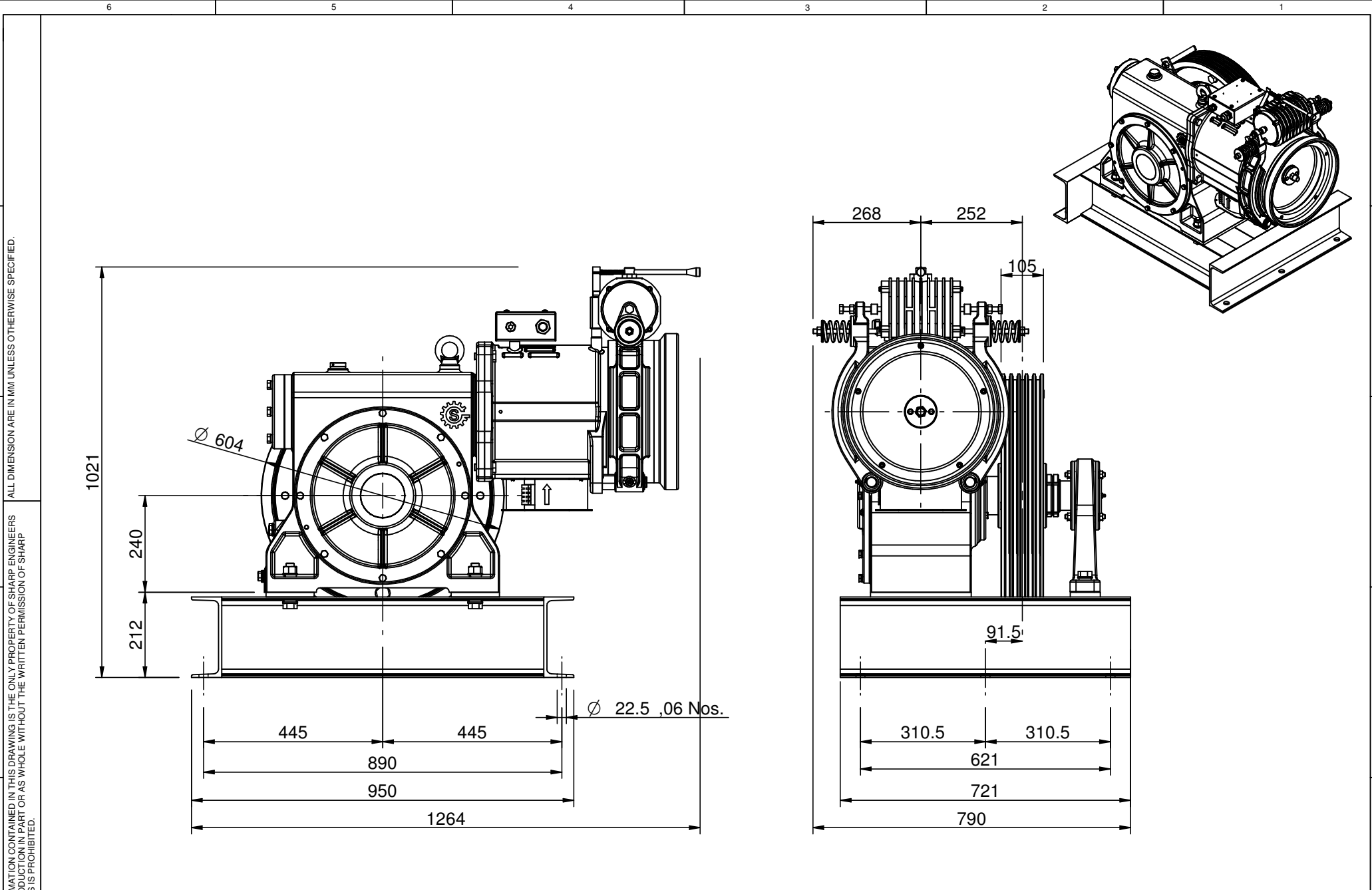


THE INFORMATION CONTAINED IN THIS DRAWING IS THE ONLY PROPERTY OF SHARP ENGINEERS
 ANY REPRODUCTION IN PART OR AS WHOLE WITHOUT THE WRITTEN PERMISSION OF SHARP
 ENGINEERS IS PROHIBITED.



REVISION No.	
--------------	--

DESCRIPTION	
-------------	--

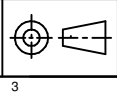
DATE	
------	--

APPROVED BY	
-------------	--

DRWN BY ANKIT PATEL
DRWN DATE 02/06/2022

SIZE A4

SCALE



TITLE:- TUSKER G.A. DRAWING RH

