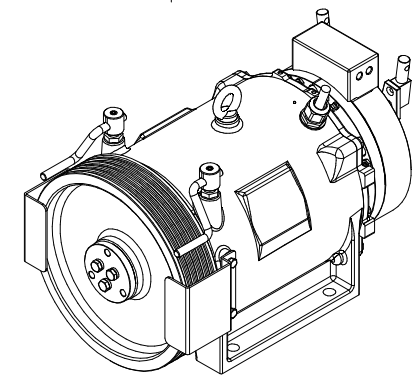


Ø P	A	B	C	N X Ø D	E	F	S
240	97	56	111	8 X Ø 6.5	572	320	11
320	70	50	96.5	5 X Ø 8	552	345	12
320	82	50	102.5	6 X Ø 8	558	345	12



ALL DIMENSION ARE IN MM UNLESS OTHERWISE SPECIFIED.
 THE INFORMATION CONTAINED IN THIS DRAWING IS THE ONLY PROPERTY OF SHARP ENGINEERS
 ANY REPRODUCTION IN PART OR AS WHOLE WITHOUT THE WRITTEN PERMISSION OF SHARP
 ENGINEERS IS PROHIBITED.

REVISION No.	DESCRIPTION	DATE	APPROVED BY	DRWN BY ANKIT PATEL DRWN DATE 14/07/2022	SIZE A4	SCALE		TITLE:- SEG-30S G.A.DRAWING
--------------	-------------	------	-------------	---	------------	-------	--	-----------------------------------

