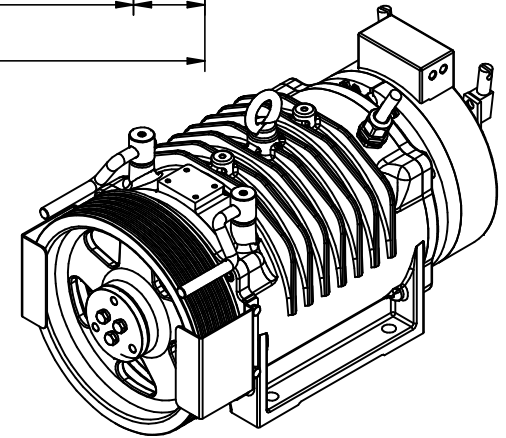
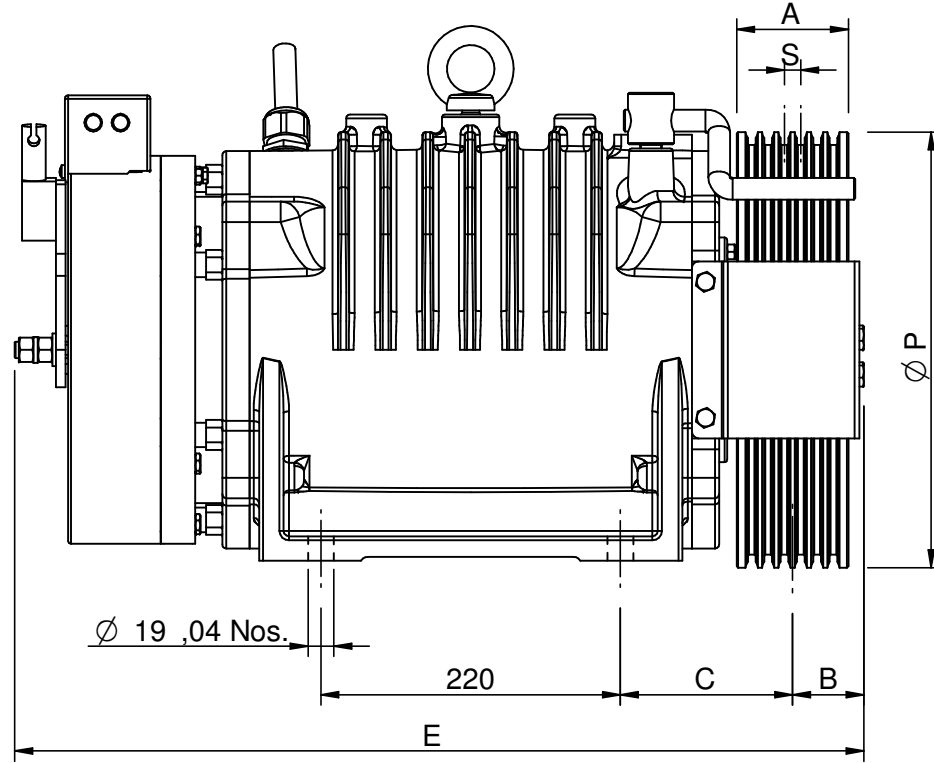
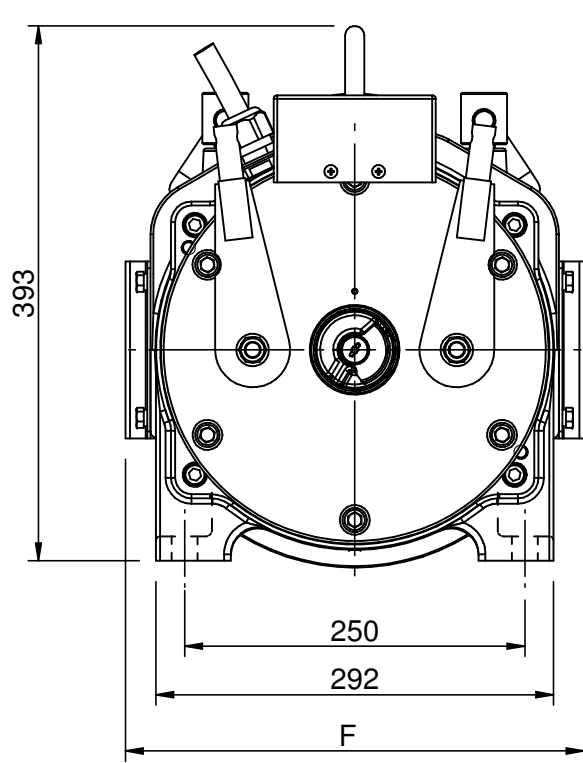


THE INFORMATION CONTAINED IN THIS DRAWING IS THE ONLY PROPERTY OF SHARP ENGINEERS
 ANY REPRODUCTION IN PART OR AS WHOLE WITHOUT THE WRITTEN PERMISSION OF SHARP
 ENGINEERS IS PROHIBITED.



Ø P	A	B	C	N X Ø D	E	F	S
240	119	67.5	145	10 X Ø 6.5	665	324	11
320	82	58	126.5	6 X Ø 8	635	338	12
320	106	61	132.5	7 X Ø 8	638	338	12

REVISION No.	DESCRIPTION	DATE	APPROVED BY	DRWN BY ANKIT PATEL	SIZE A4	SCALE	TITLE:-

TITLE:- SEG-35S
 G.A.DRAWING



6

5

4

3

2

1