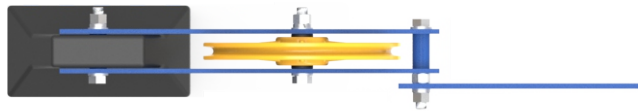
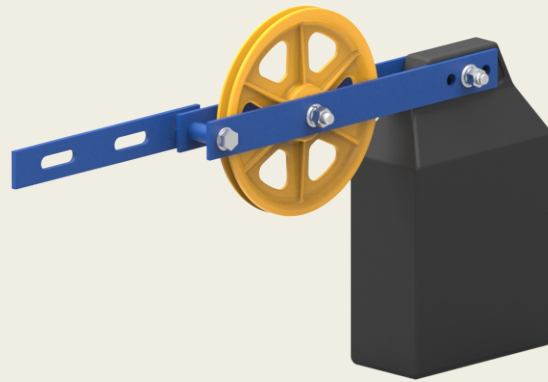
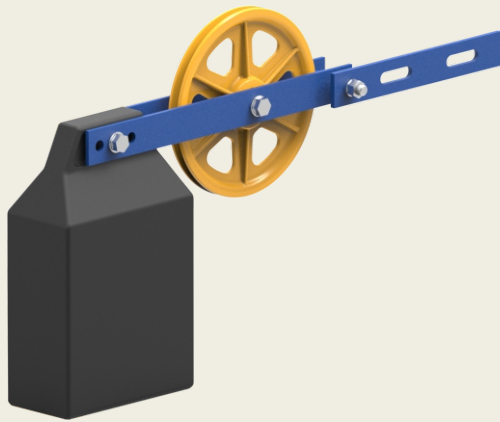


# Over Speed Governor

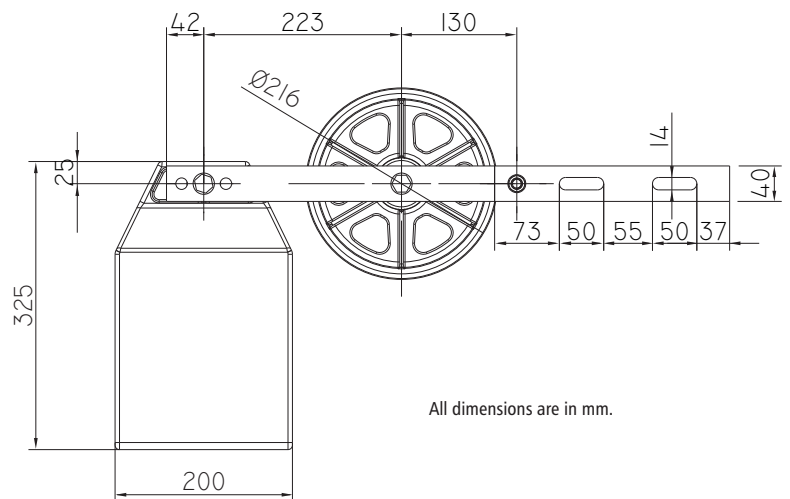
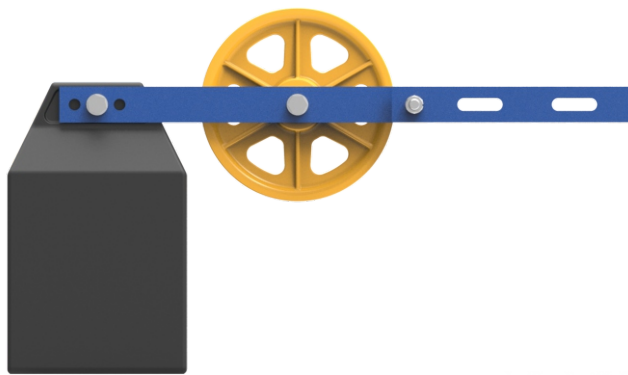
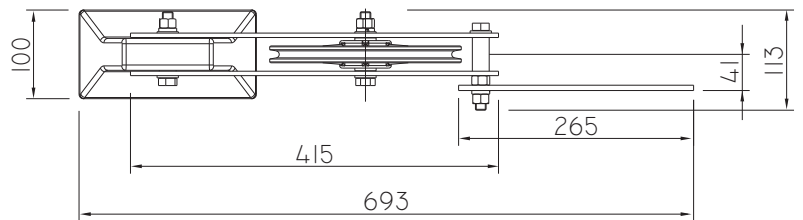
## Tension Pulley 200mm

(Machine Room)

The **Quality** Inspires Trust



### Technical Drawing



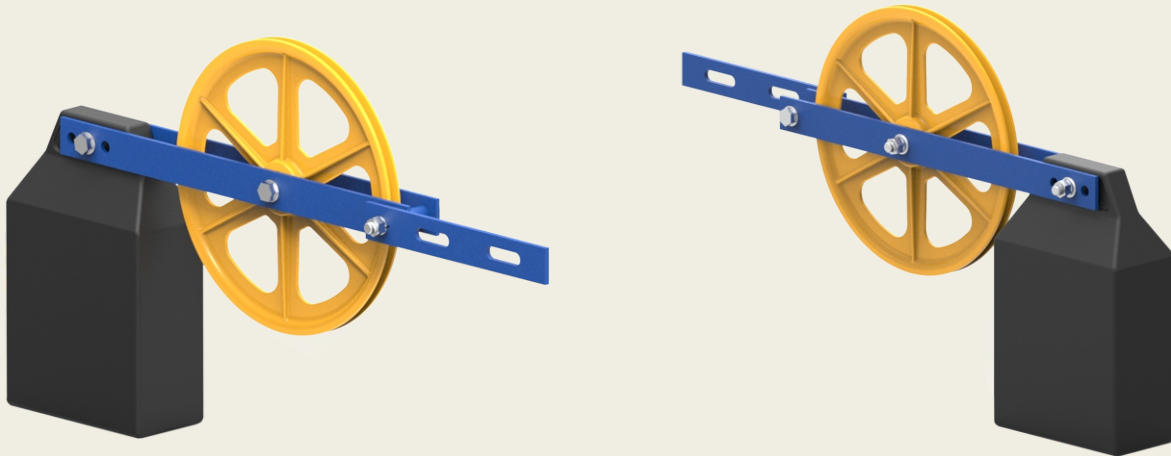
All dimensions are in mm.

### Technical Specification

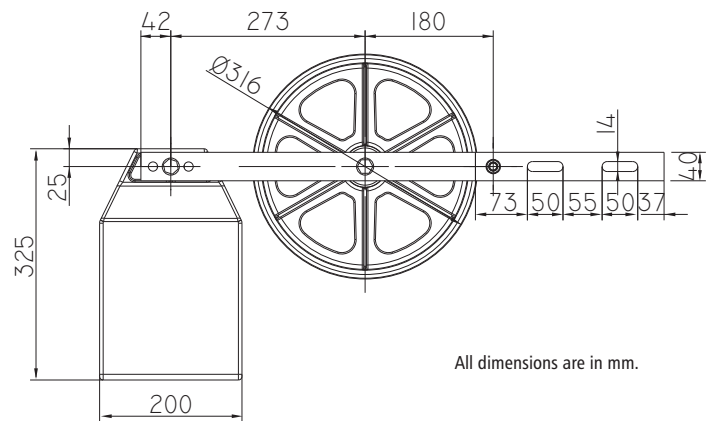
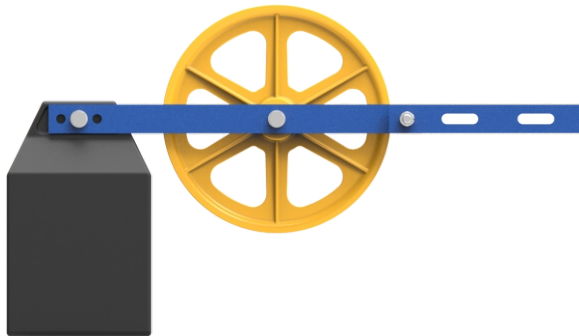
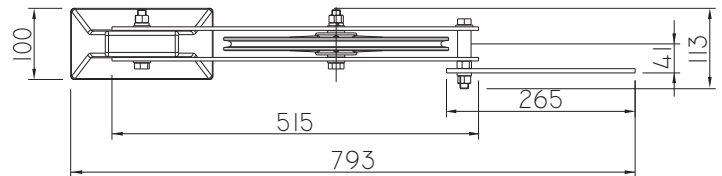
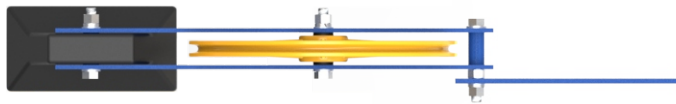
Pulley Diameter (D) mm	Counter Weight	Speed Governor Suitability	Direction
200	14 Kg	OSGTP200MR	Up / Down

# Over Speed Governor Tension Pulley 300mm (Machine Room)

The **Quality** Inspires Trust



## Technical Drawing



All dimensions are in mm.

### Technical Specification

Pulley Diameter (D) mm	Counter Weight	Speed Governor Suitability	Direction
300	14 Kg	OSGTP300RUD	Down
300	14 Kg	OSGTP300RBD	Up / Down