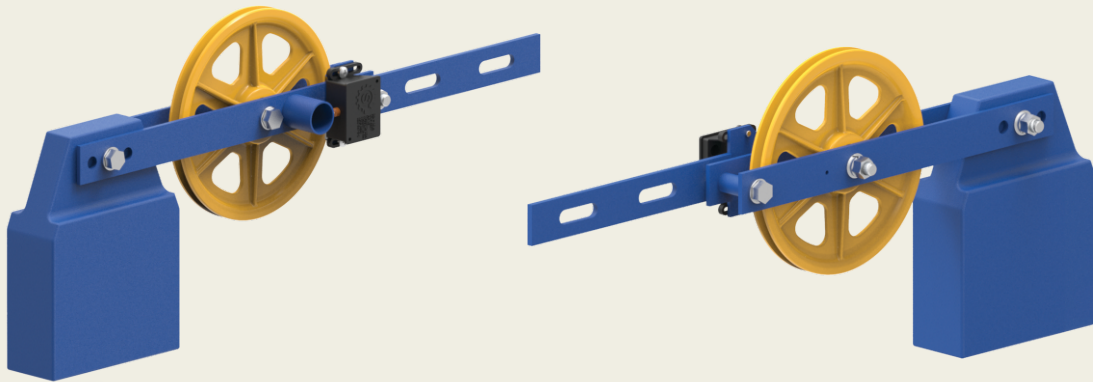


Over Speed Governor

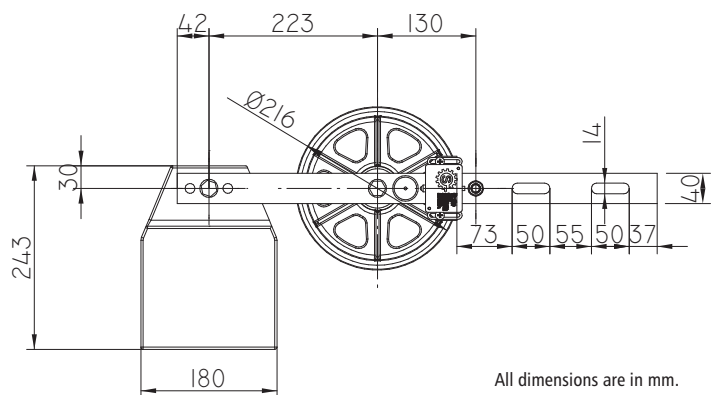
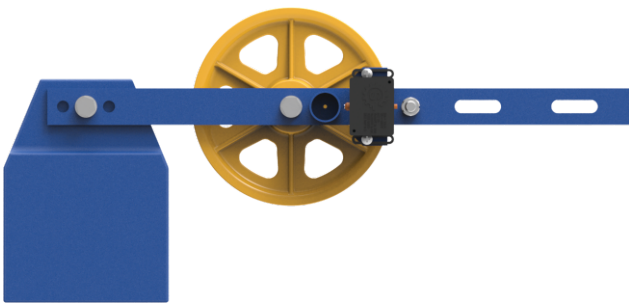
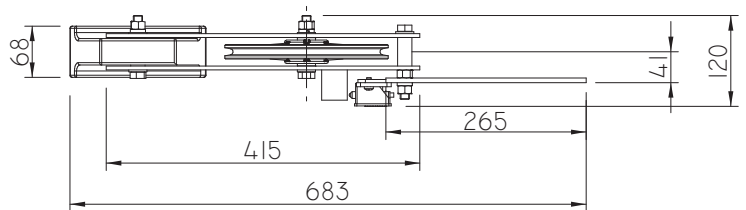
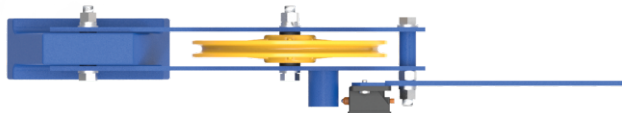
Tension Pulley 200mm

(Machine Roomless)

The **Quality** Inspires Trust



Technical Drawing



All dimensions are in mm.

Technical Specification

Pulley Diameter (D) mm	Counter Weight	Speed Governor Suitability	Direction
200	17 Kg	OSGTP200MRL	Up / Down



552, 'A' Road, Cross Road-12,
G.I.D.C. Kathwada, Ahmedabad-382430.
Gujarat, India.

Phone : + 91 79 2290 1711, 12,14, 15.
E-mail : info@sharpengineers.com
Website : www.sharpengineers.com