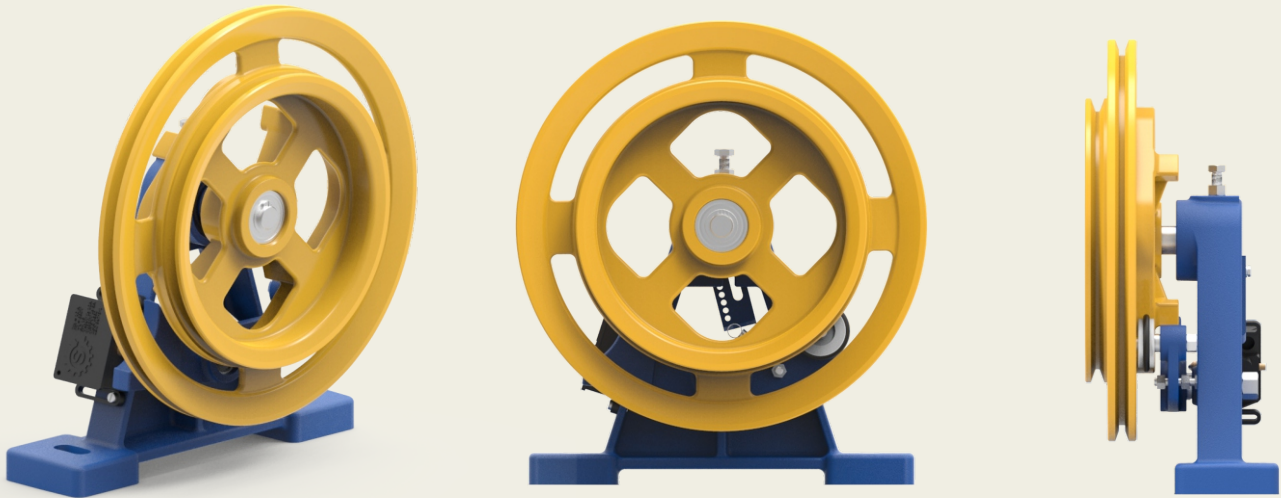


Over Speed Governor Top Pulley 300mm (Machine Room)

The **Quality** Inspires Trust

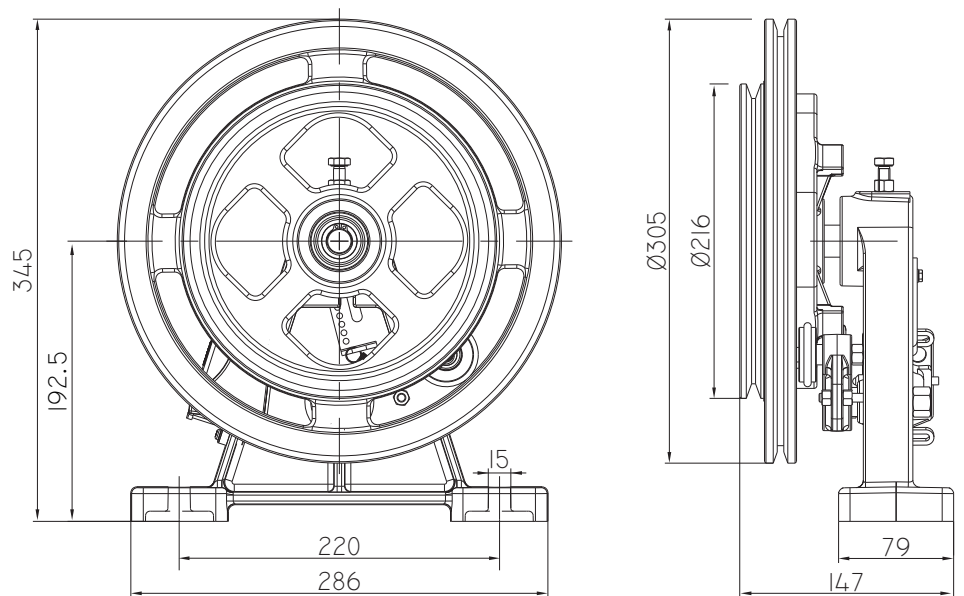


Technical Drawing

Technical Specification

OSGTP300RUD	Uni Directional
OSGTP300RBD	Bi Directional
Nominal Speed	0.32 – 1.50 m/s
Tripping Speed	0.40 – 1.88 m/s
Ø Rope	6 & 8 mm

Available with Limit Switch & Test Groove.



All dimensions are in mm.