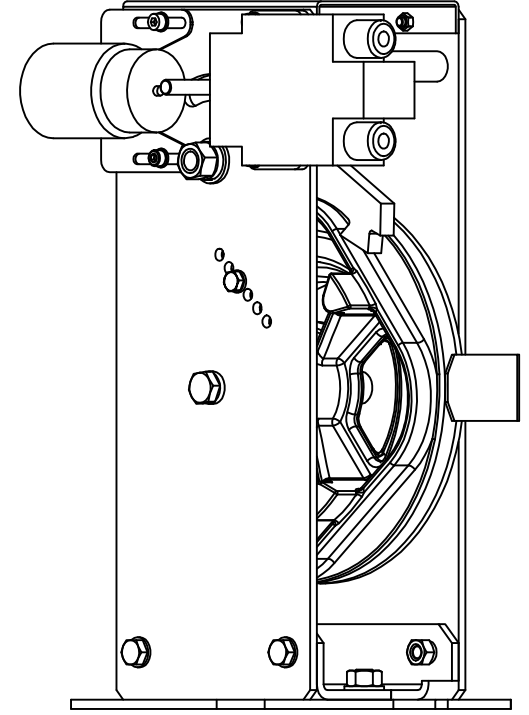
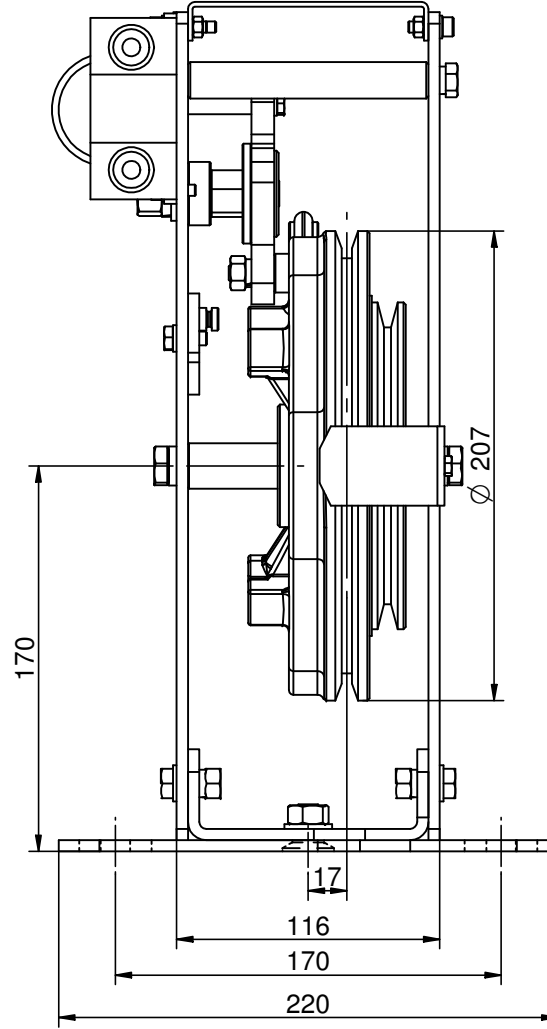
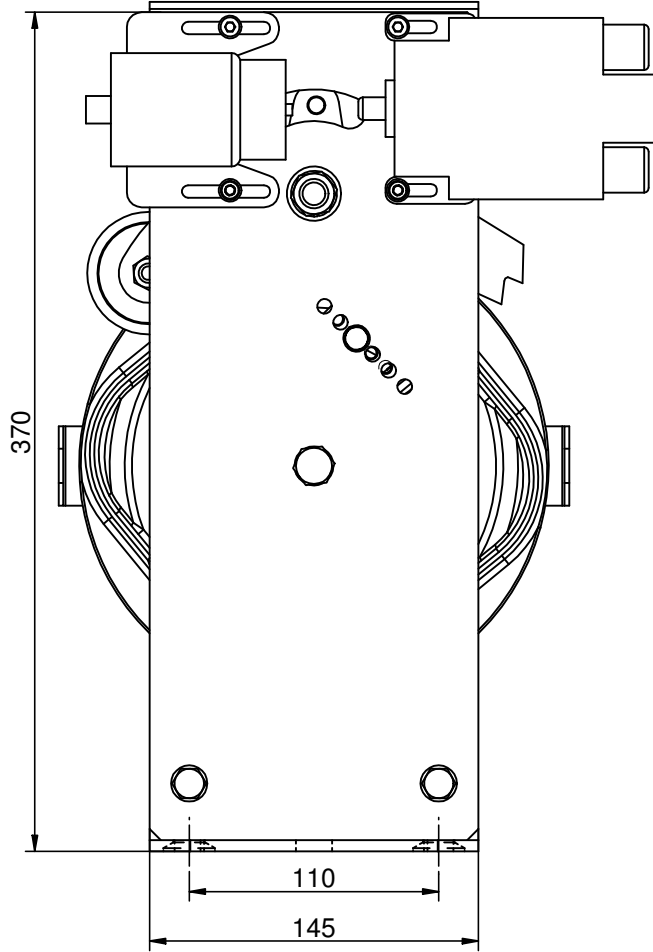


THE INFORMATION CONTAINED IN THIS DRAWING IS THE ONLY PROPERTY OF SHARP ENGINEERS  
 ANY REPRODUCTION IN PART OR AS WHOLE WITHOUT THE WRITTEN PERMISSION OF SHARP  
 ENGINEERS IS PROHIBITED.

ALL DIMENSION ARE IN MM UNLESS OTHERWISE SPECIFIED.

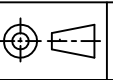


REVISION No.	DESCRIPTION	DATE	APPROVED BY

DRWN BY  
ANKIT PATEL  
DRWN DATE  
14/07/2022

SIZE  
A4

SCALE



TITLE:- OSG TOP PULLEY 200 MRL  
G.A.DRAWING



6

5

4

3

2

1

m

d

c

b

a

e

d

c

b

a