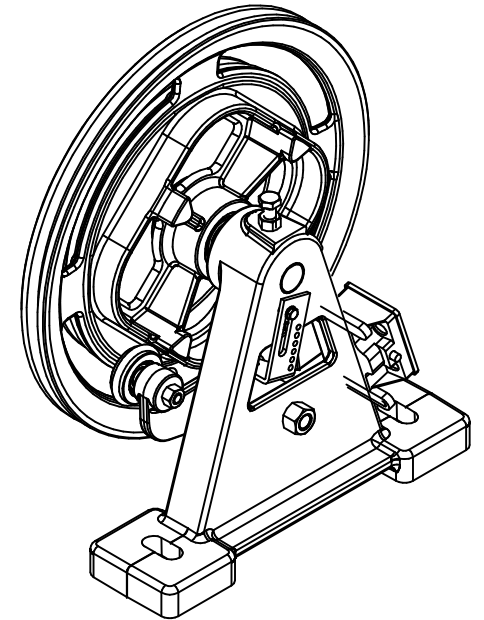
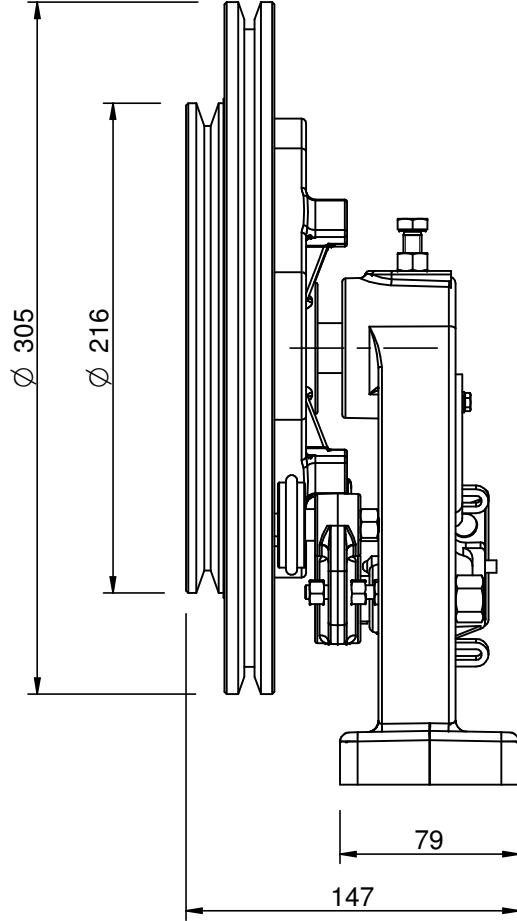
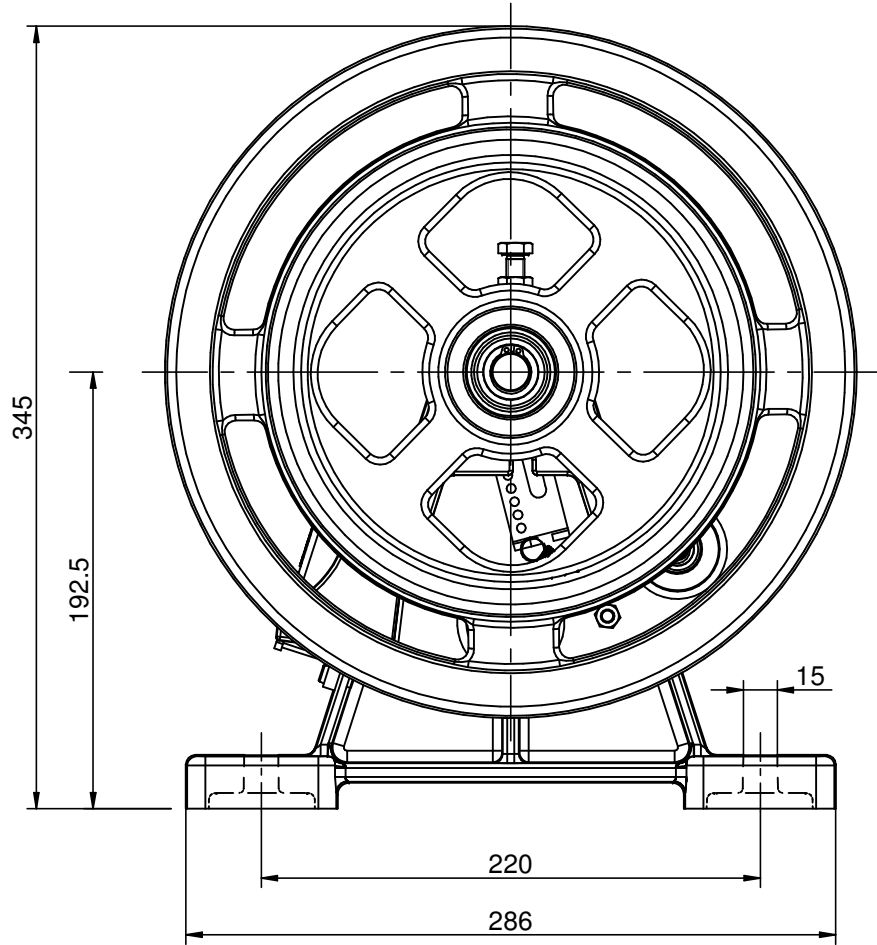


ALL DIMENSION ARE IN MM UNLESS OTHERWISE SPECIFIED.

THE INFORMATION CONTAINED IN THIS DRAWING IS THE ONLY PROPERTY OF SHARP ENGINEERS ANY REPRODUCTION IN PART OR AS WHOLE WITHOUT THE WRITTEN PERMISSION OF SHARP ENGINEERS IS PROHIBITED.



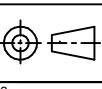
REVISION No.	DESCRIPTION	DATE	APPROVED BY

DRWN BY
ANKIT PATEL

DRWN DATE
14/07/2022

SIZE
A4

SCALE



TITLE:- G.A.DRAWING
OSG TOP PULLEY 300 MR

