

GEARED TRACTION MACHINE

LIDER DRUM TYPE



Max. Load
Carrying
Capacity
Including
Cabin Weight (kg)
1000



Gear Ratio
1/59



Drum Dia.
400 (mm)

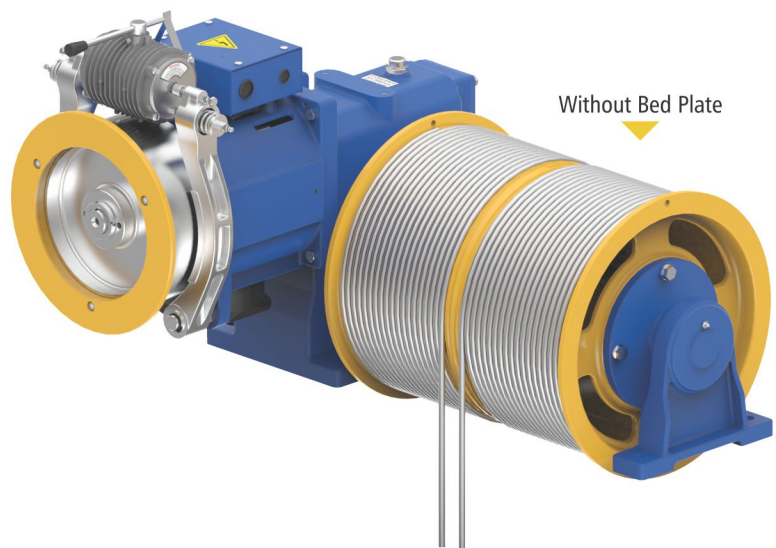


Oil Capacity (Ltr)
3.5



Weight of Machine (kg)
441* (With Bed Plate)*

* Weight of machine is varies
according to selection of
sheave, Motor & Drive system.



GEARED

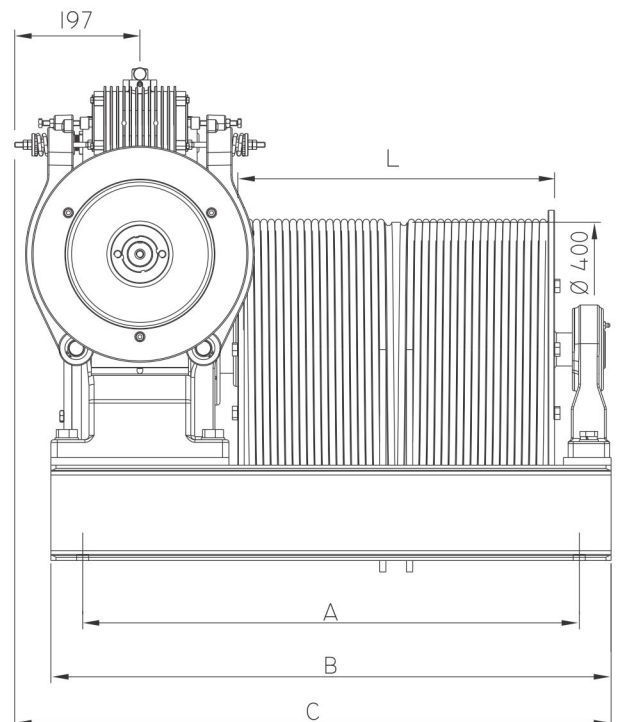
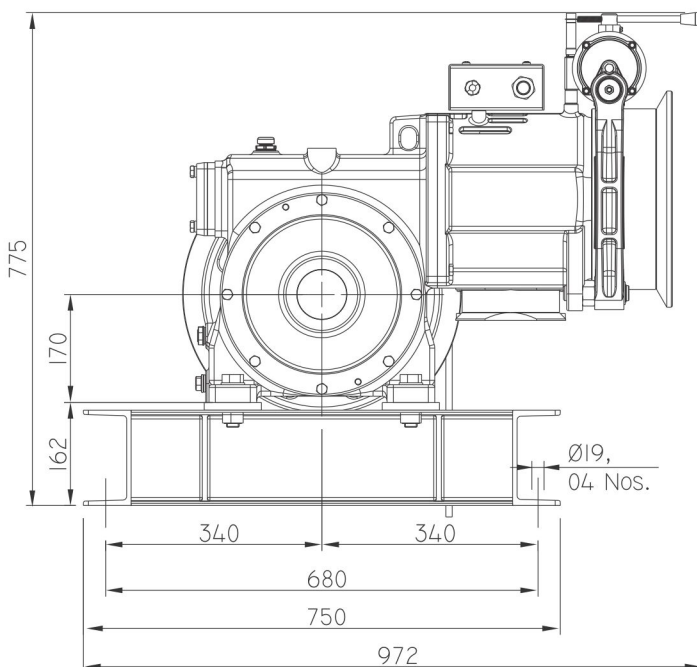
TRACTION MACHINE

LIDER DRUM TYPE

Roping 1:1

Machine	Max. Load Carrying Capacity Including Cabin Weight	Async. Speed	Gear Ratio	Motor Detail		RPM (Async.)	Drum Dia (mm)	Rope Dia (mm)	Ropes	Max. Travel (mtr)
	(Kg)	(m/sec)		(kw)	(HP)					
LIDER	1000	0.50	1/59	9.0	12.5	1440	400	10	2 (1+1)	21

Travelling (mtr)	Drum L (mm)	A (mm)	B (mm)	C (mm)	N x Ø D
12	332	615	715	772	2 x Ø 10
21	498	781	881	938	2 x Ø 10



(All dimensions are in mm)