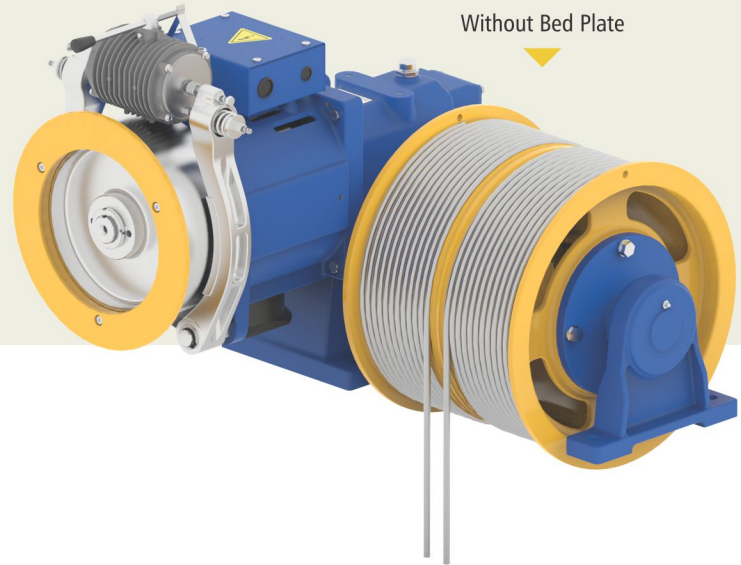


GEARED TRACTION MACHINE

totus
DRUM TYPE



Max. Load
Carrying
Capacity
Including
Cabin Weight (kg)
750



Gear Ratio
1/55



Drum Dia.
400 (mm)



Oil Capacity (Ltr)
3.5



Weight of Machine (kg)
408* (With Bed Plate)*

* Weight of machine is varies
according to selection of
sheave, Motor & Drive system.



GEARED

TRACTION MACHINE

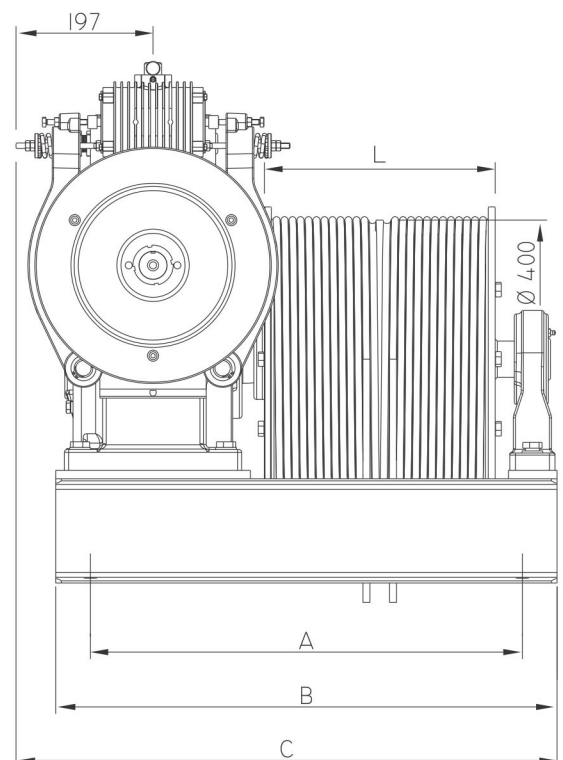
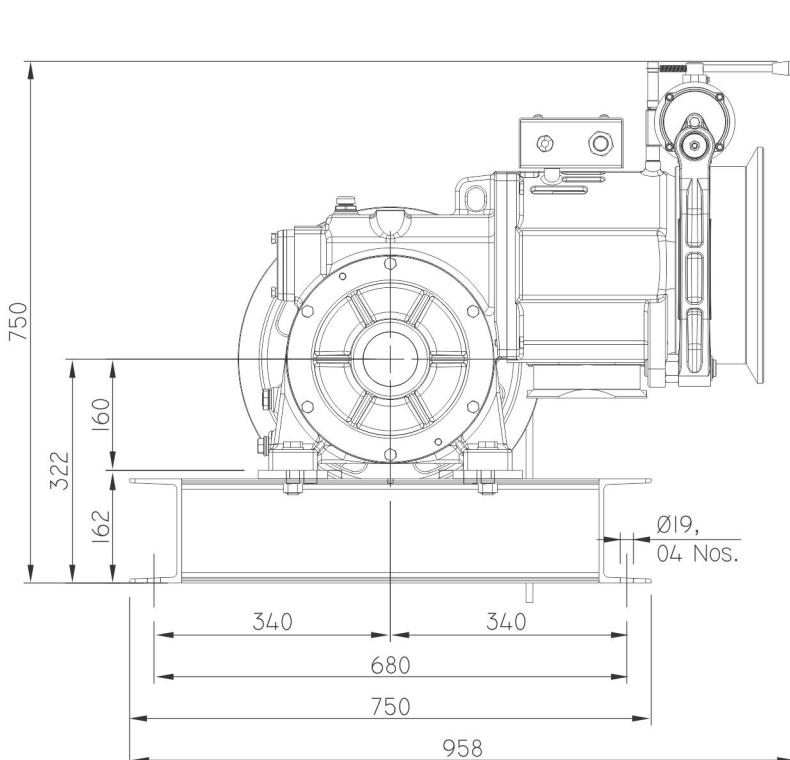
totus
DRUM TYPE

Roping 1:1

Machine	Max. Load Carrying Capacity Including Cabin Weight	Async. Speed	Gear Ratio	Motor Detail		RPM (Async.)	Drum Dia (mm)	Rope Dia (mm)	Ropes	Max. Travel (mtr)
	(Kg)	(m/sec)		(kw)	(HP)					
TOTUS	750	0.54	1/55	7.5	10.0	1440	400	10	2 (1+1)	21

Subject to change without any prior notice!

Travelling (mtr)	Drum L (mm)	A (mm)	B (mm)	C (mm)	N x Ø D
12	332	621	721	778	2 x Ø 10
21	498	784	884	941	2 x Ø 10



(All dimensions are in mm)