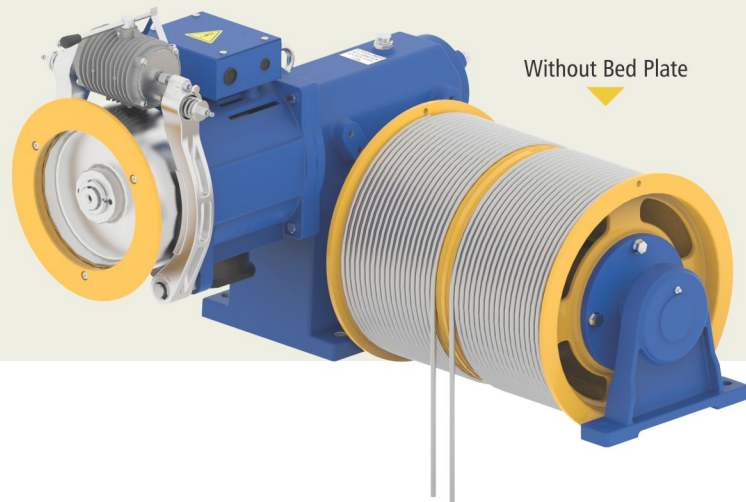


GEARED TRACTION MACHINE

Zorro
DRUM TYPE



Max. Load Carrying Capacity Including Cabin Weight (kg)
1250



Gear Ratio
1/55



Drum Dia.
400 (mm)

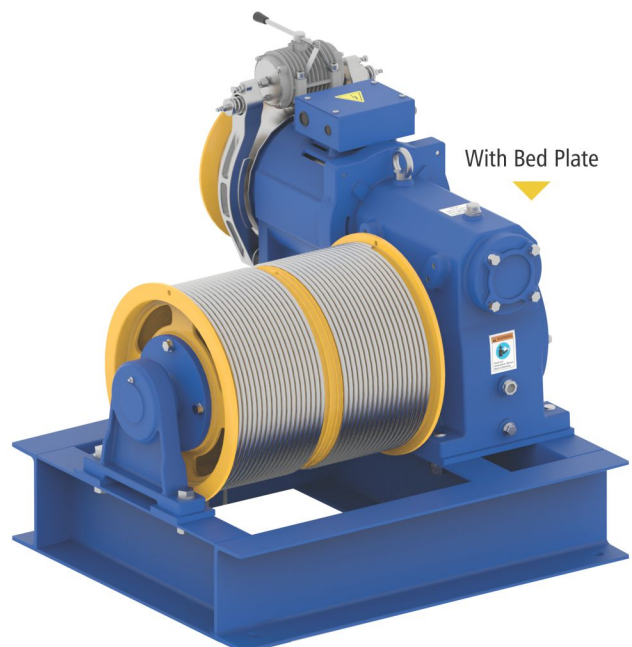


Oil Capacity (Ltr)
5.0



Weight of Machine (kg)
620* (With Bed Plate)*

* Weight of machine is varies according to selection of sheave, Motor & Drive system.



GEARED

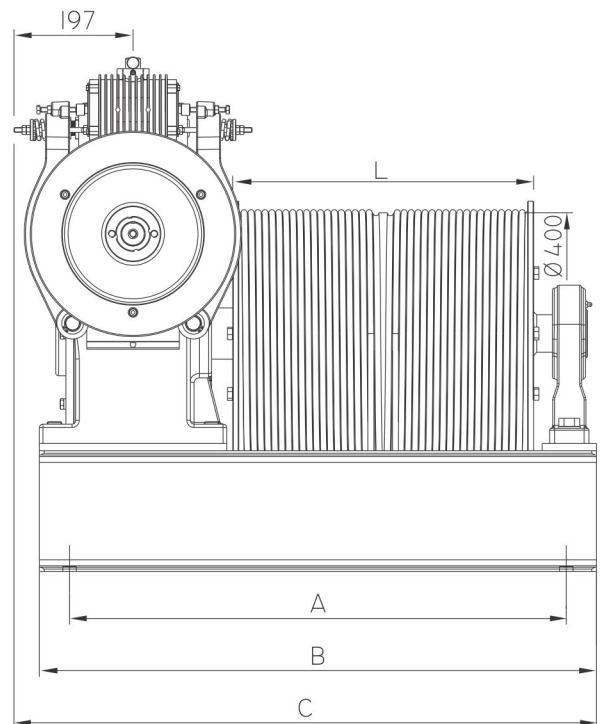
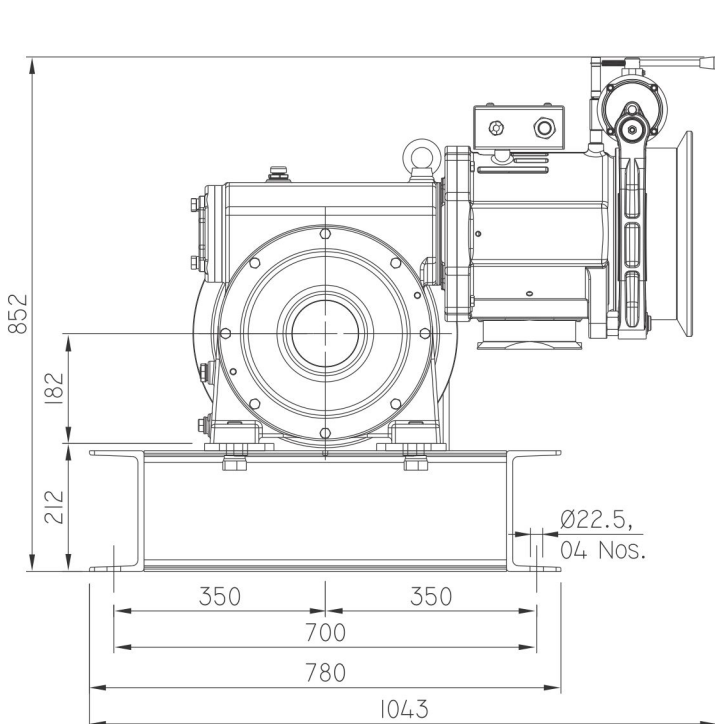
TRACTION MACHINE

Zorro
DRUM TYPE

Roping 1:1

Machine	Max. Load Carrying Capacity Including Cabin Weight	Async. Speed	Gear Ratio	Motor Detail		RPM (Async.)	Drum Dia (mm)	Rope Dia (mm)	Ropes	Max. Travel (mtr)
	(Kg)	(m/sec)		(kw)	(HP)					
ZORRO	1250	0.55	1/55	11.0	15.0	1440	400	10	2 (1+1)	21

Travelling (mtr)	Drum L (mm)	A (mm)	B (mm)	C (mm)	N x Ø D
12	332	656	756	798	2 x Ø 10
21	498	822	922	964	2 x Ø 10



(All dimensions are in mm)