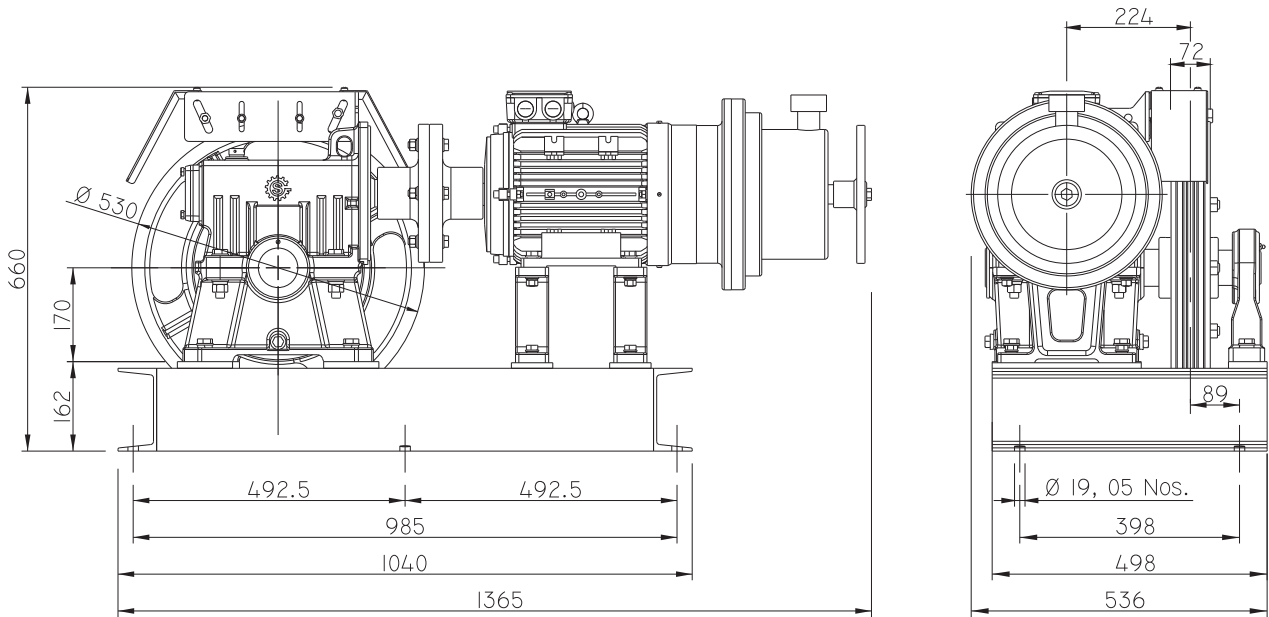
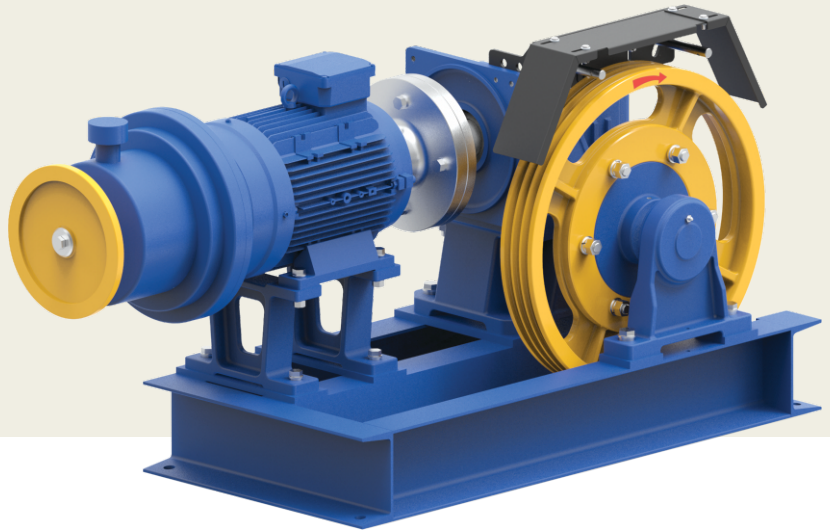




# CAULDRON<sup>®</sup>-135 N

Flame Proof



(All dimensions are in mm)

Roping 2:1 | Travelling : 15 mtr

Machine	Duty Load	Async. Speed	Gear Ratio	Motor Detail		RPM (Async.)	Rated Current (A)	Sheave Specification	Max. Allow Weight (Car + Car Frame + Operator)
	(Kg)	(m/sec)		(kw)	(HP)			Sheave Dia X Rope Dia X No. of Groove	(Kg)
CAULDRON 135N	1000	0.5	1/37	5.5	7.5	1440	12.0	Ø530 X 13mm X 3 Grv	850