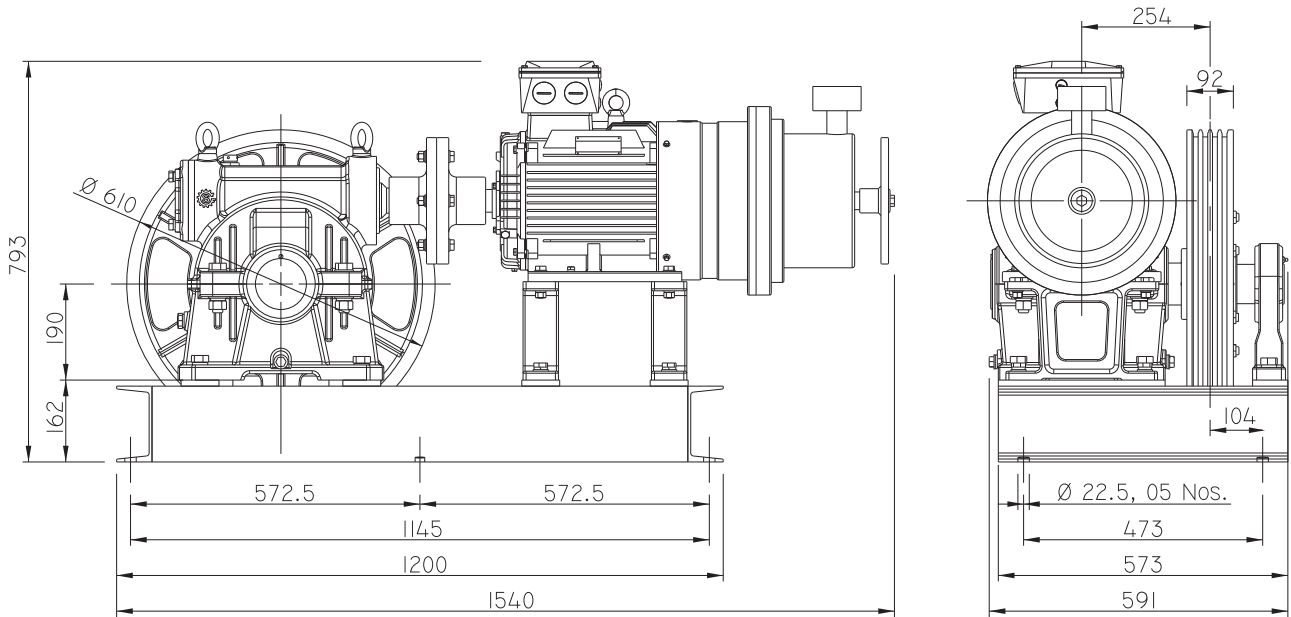
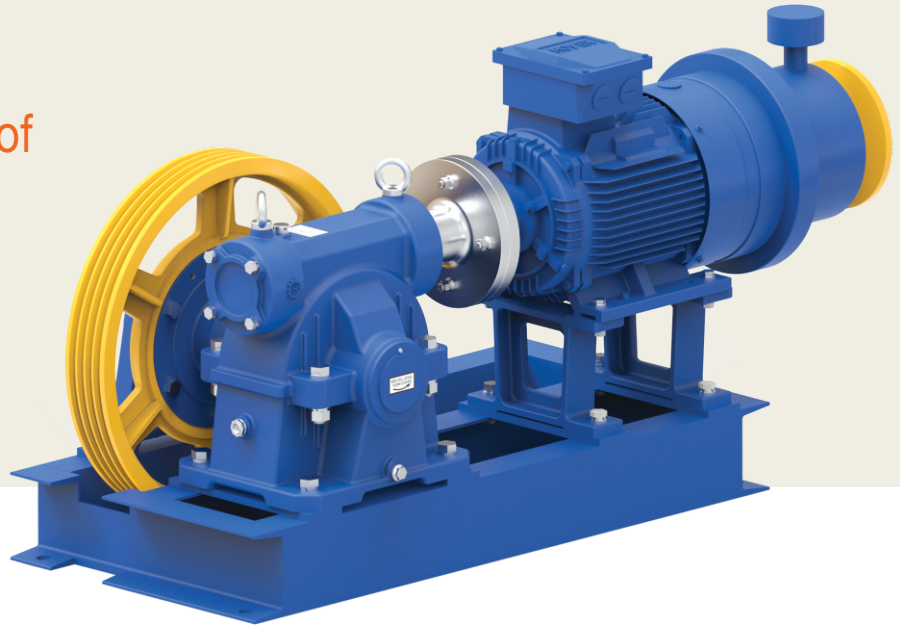




CAULDRON[®]-165 N

Flame Proof



(All dimensions are in mm)

Roping 2:1 | Travelling : 15 mtr

Machine	Duty Load	Async. Speed	Gear Ratio	Motor Detail		RPM	Rated Current	Sheave Specification	Max. Allow Weight (Car + Car Frame + Operator)
	(Kg)	(m/sec)		(kw)	(HP)			Sheave Dia X Rope Dia X No. of Groove	(Kg)
CAULDRON 165 N	2000	0.5	1/46	11.0	15.0	1450	22.0	Ø610 X 13mm X 4 Grv	1250