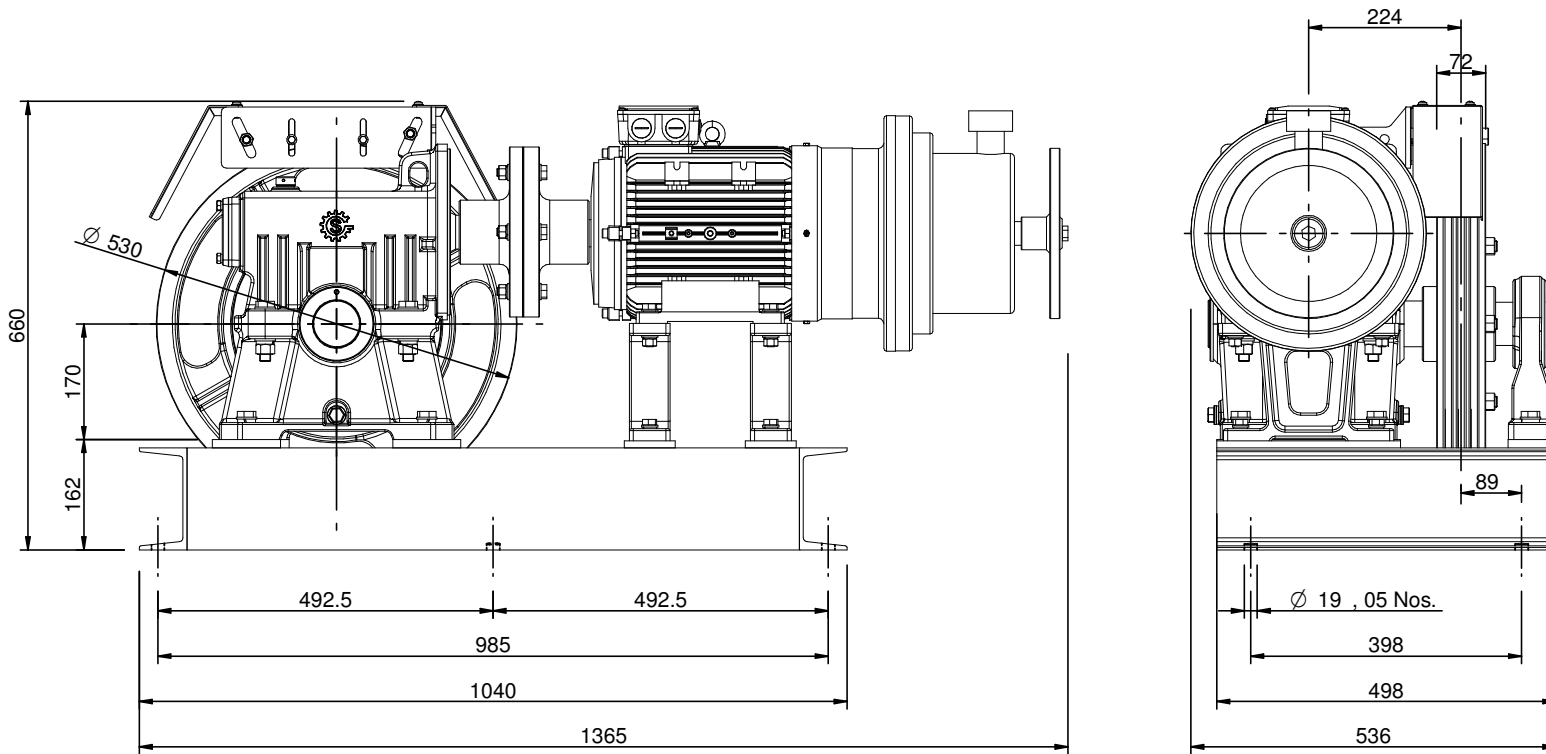
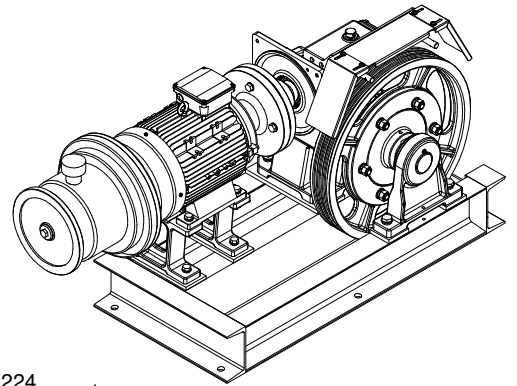


CAL-135 N GA DRW PULLEY Ø530mm FOR FLAME PROOF MOTOR



THE INFORMATION CONTAINED IN THIS DRAWING IS THE ONLY PROPERTY OF SHARP ENGINEERS. ANY REPRODUCTION IN PART OR AS WHOLE WITHOUT THE WRITTEN PERMISSION OF SHARP ENGINEERS IS PROHIBITED. ALL DIMENSION ARE IN MM UNLESS OTHERWISE SPECIFIED.

REVISION No.	DESCRIPTION	DATE	APPROVED BY	DRWN DATE 29/08/2023	SIZE A4	SCALE 1:12.5		TITLE:- CAL-135N G.A. DRAWING R.H.	
--------------	-------------	------	-------------	-------------------------	------------	-----------------	--	--	--