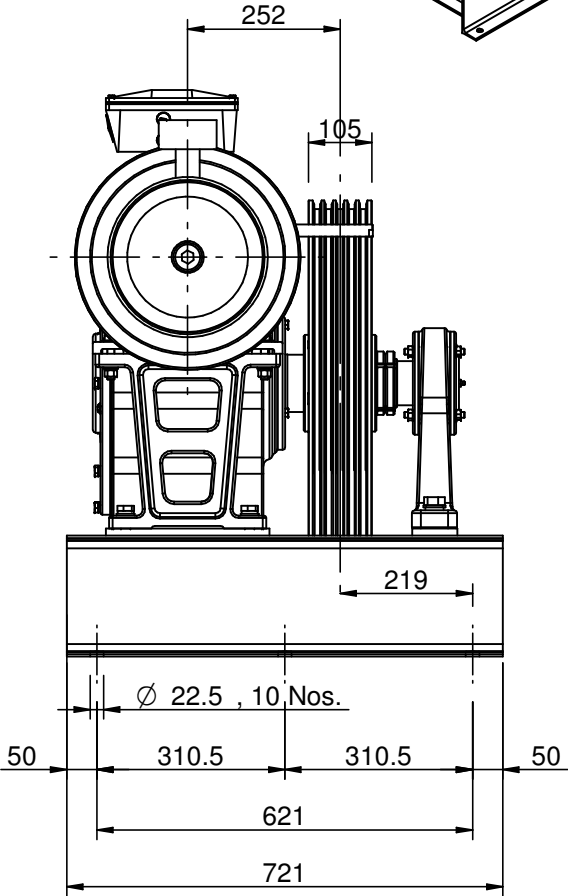
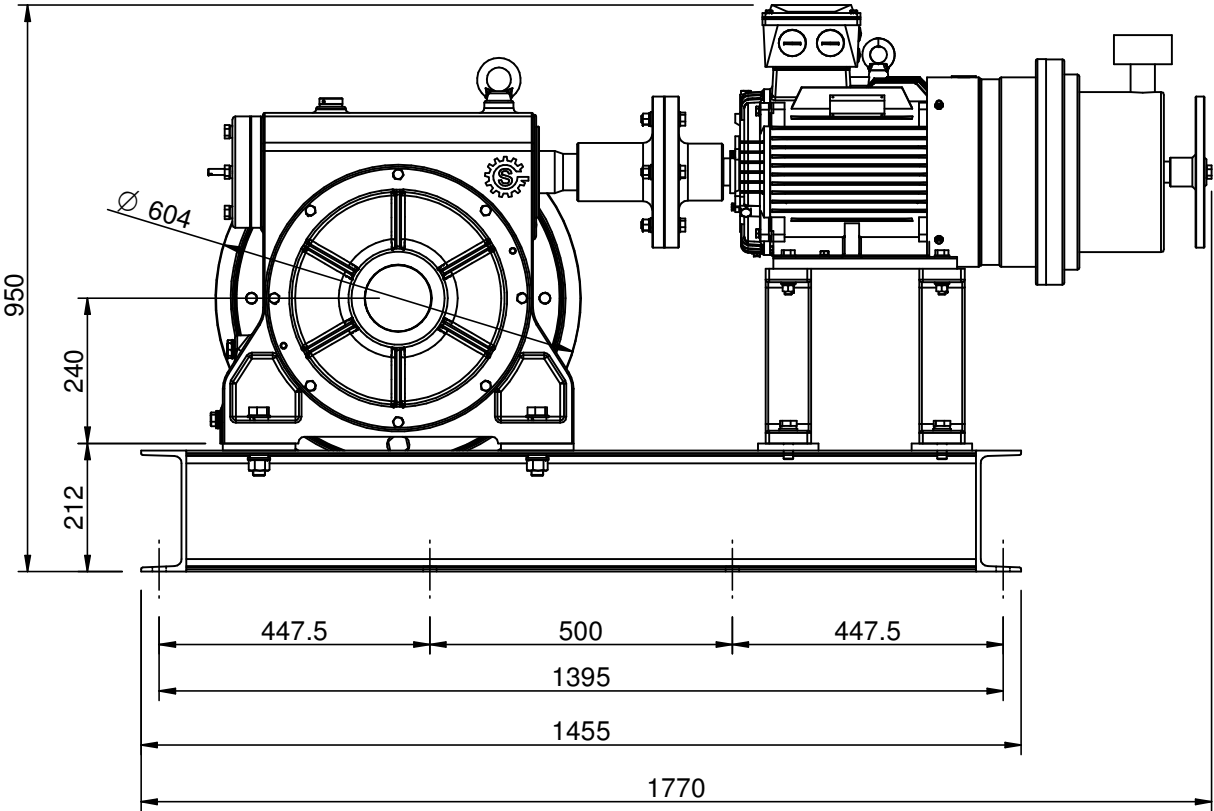
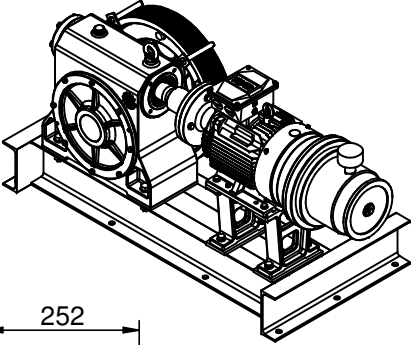


TUSKER MACHINE Ø600mmx13mmx5 Grv FLAME PROOF MOTOR



THE INFORMATION CONTAINED IN THIS DRAWING IS THE ONLY PROPERTY OF SHARP ENGINEERS
 ANY REPRODUCTION IN PART OR AS WHOLE WITHOUT THE WRITTEN PERMISSION OF SHARP
 ENGINEERS IS PROHIBITED.

REVISION No.	DESCRIPTION	DATE	APPROVED BY	DRWN BY ANKIT PATEL	SIZE A4	SCALE	TITLE:- TUSKER G.A. DRAWING RH	
				DRWN DATE 04/09/2023				