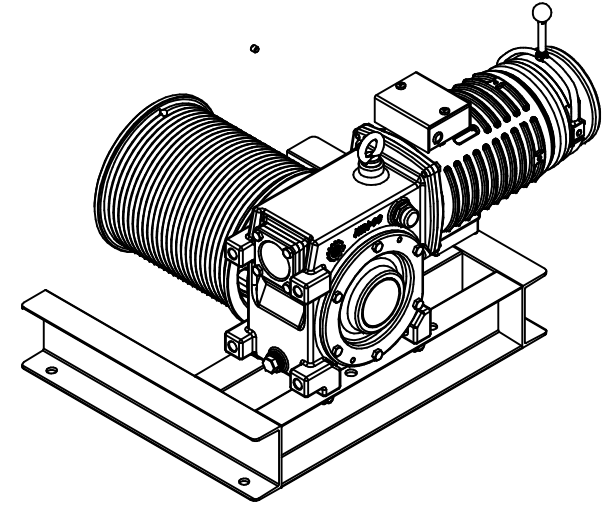
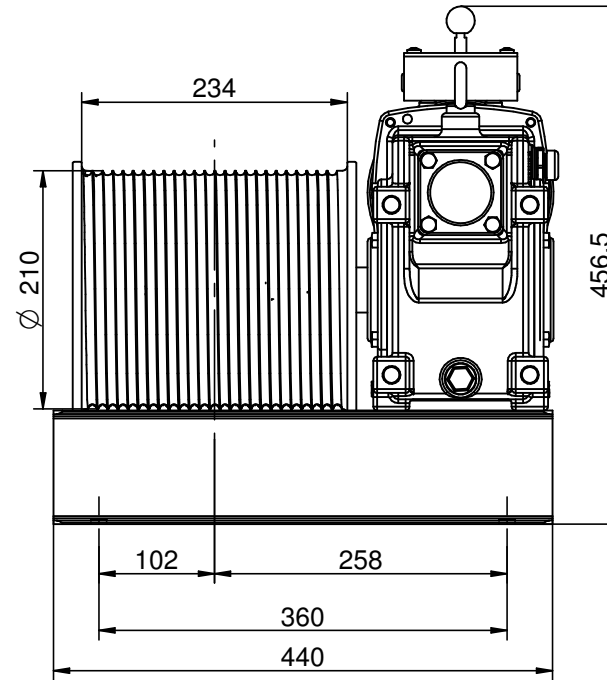
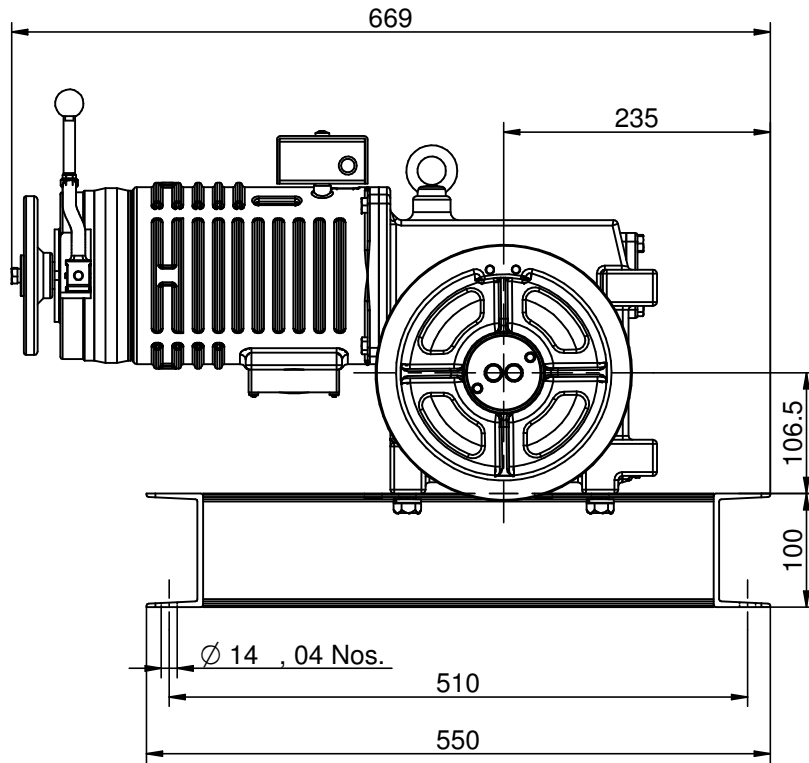


THE INFORMATION CONTAINED IN THIS DRAWING IS THE ONLY PROPERTY OF SHARP ENGINEERS
 ANY REPRODUCTION IN PART OR AS WHOLE WITHOUT THE WRITTEN PERMISSION OF SHARP
 ENGINEERS IS PROHIBITED.

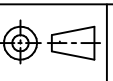


REVISION No.	DESCRIPTION	DATE	APPROVED BY

DRWN BY
 MITESH PATEL
 DRWN DATE
 14/07/2022

SIZE
 A4

SCALE



TITLE:- HEN-06(DRUM TYPE)
 G.A.DRAWING



6 5 4 3 2 1

m

D

C

B

A

E

D

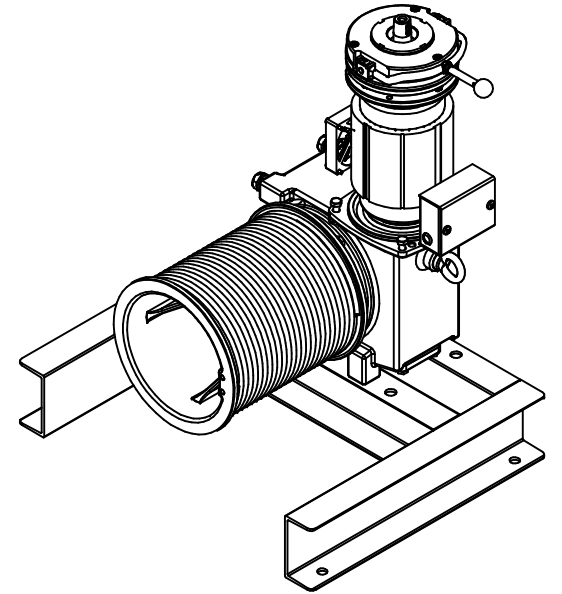
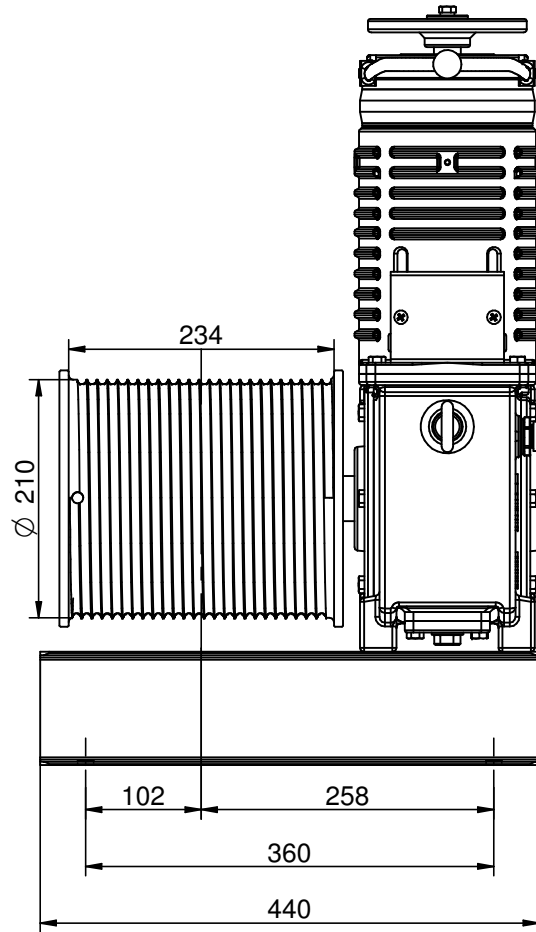
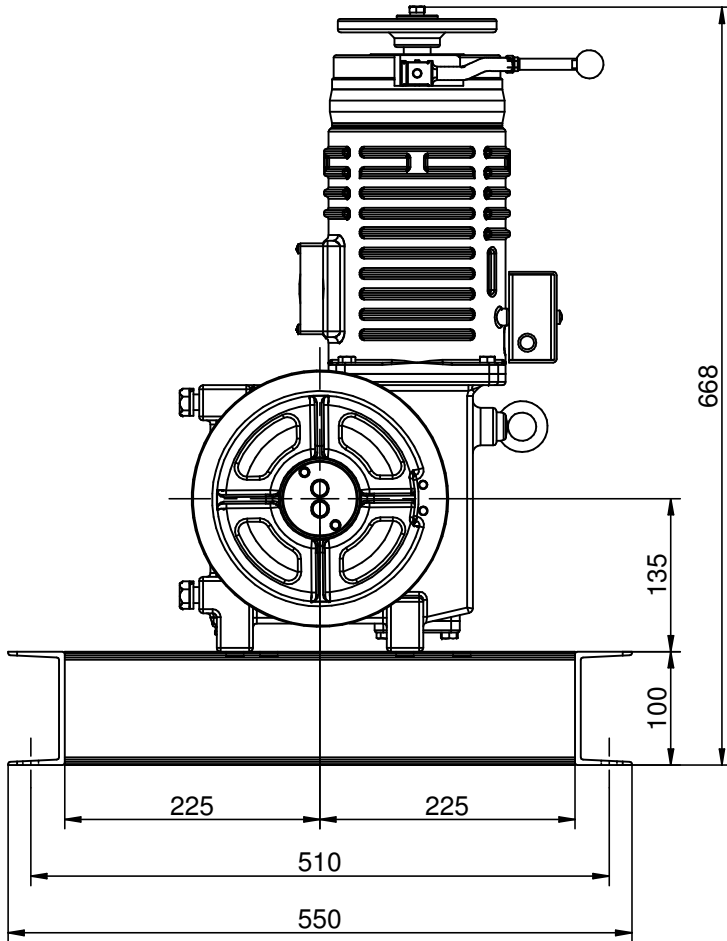
C

B

A

THE INFORMATION CONTAINED IN THIS DRAWING IS THE ONLY PROPERTY OF SHARP ENGINEERS
 ANY REPRODUCTION IN PART OR AS WHOLE WITHOUT THE WRITTEN PERMISSION OF SHARP
 ENGINEERS IS PROHIBITED.

ALL DIMENSION ARE IN MM UNLESS OTHERWISE SPECIFIED.

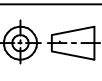


REVISION No.	DESCRIPTION	DATE	APPROVED BY

DRWN BY
 MITESH PATEL
 DRWN DATE
 14/07/2022

SIZE
 A4

SCALE



TITLE:- HEN-06(DRUM TYPE)
 G.A.DRAWING



6

5

4

3

2

1