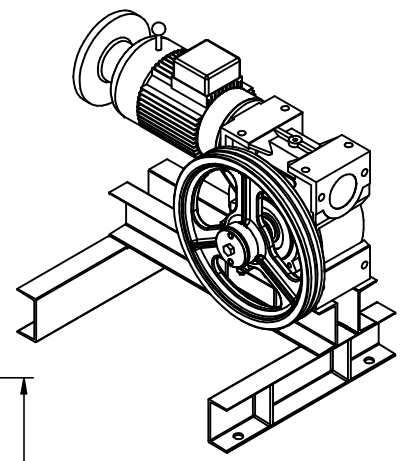
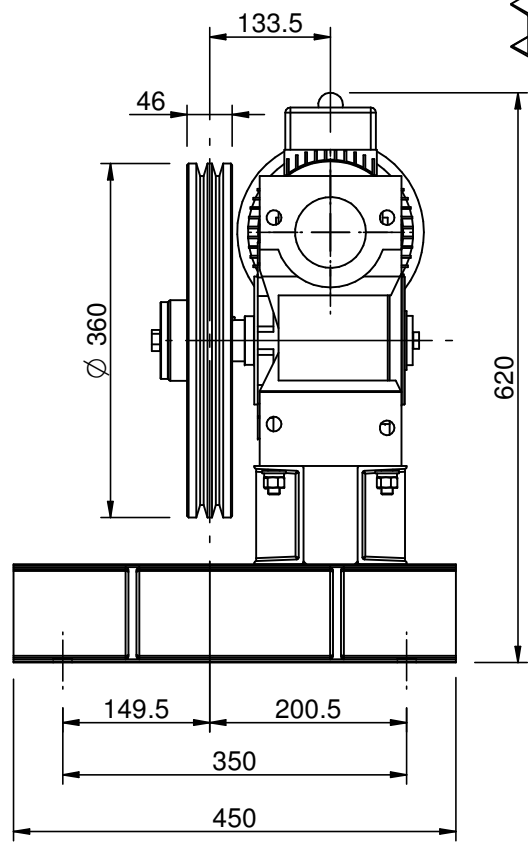
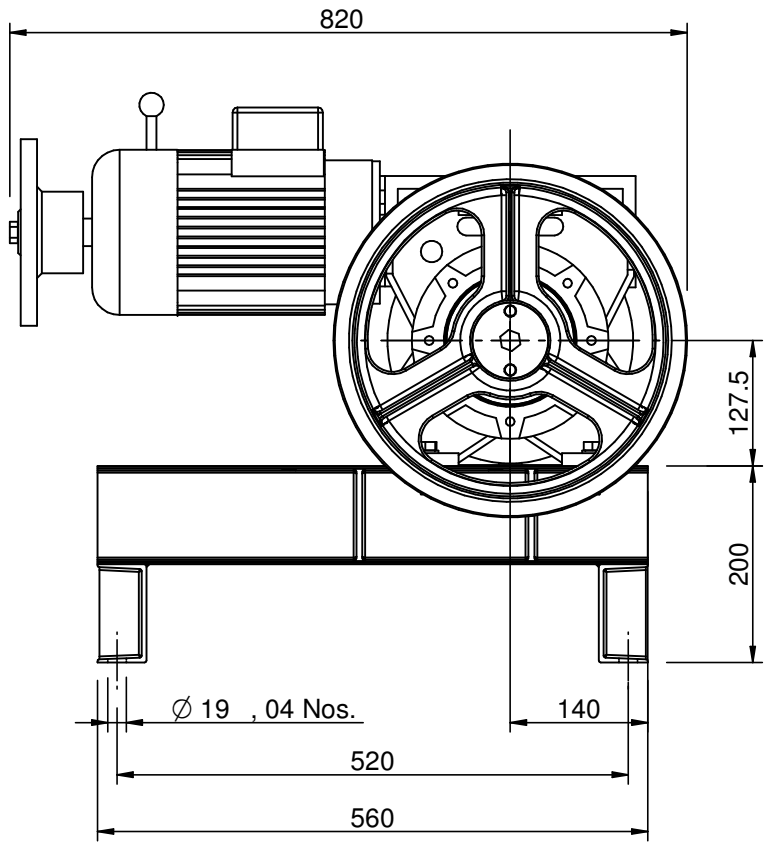


ALL DIMENSION ARE IN MM UNLESS OTHERWISE SPECIFIED.

THE INFORMATION CONTAINED IN THIS DRAWING IS THE ONLY PROPERTY OF SHARP ENGINEERS
 ANY REPRODUCTION IN PART OR AS WHOLE WITHOUT THE WRITTEN PERMISSION OF SHARP
 ENGINEERS IS PROHIBITED.



REVISION No.	DESCRIPTION	DATE	APPROVED BY	DRWN BY ANKIT PATEL	SIZE A4	SCALE	TITLE:- HEN-06 (PULLEY TYPE) G.A. DRAWING RH
				DRWN DATE 06/05/2019			

