

www.sharpeengineers.com

GEAR LESS

Traction
Machine

Technical Catalogues

Quality That Inspires Trust



SHARP[™]
ENGINEERS



More Than **42,000** Units Annual Production Capacity

31
Years
Journey to
Excellence

Company Profile

SHARP ENGINEERS, was established in 1994 in Ahmedabad (Gujarat) as a manufacturer of all kind of elevator traction machines for elevators. Sharp Engineers has an area of 81,000 sq. ft with their original asset of 200 employees and with the production capacity of more than 42;000 units per annum. We always so much focused on the constant process of research and development to satisfy the need and comfort of the market. SHARP ENGINEERS have more than 31 years of experience, we developed over the years a complete range of products, geared and gearless machines. Sharp Engineers have optimized the meaning of Quality, Customer Service, after sales service and all other aspects concerned with creating a world class brand.



Our Production entirely made in Ahmedabad, equipped with the most innovative and efficient technical-productive solutions. Automation, efficiency, high technology which guarantees the production and supply of quality products in less time, which meets the needs of extreme speed and flexibility of the elevator market. Sharp engineers believes to provide the customer - best lifting solution according to their technical specifications of the system, starting from the activity of commercial technical support and continue throughout the production process to the final testing, in-line delivery with best industry standards and after sales service. We are exporting our ranges of Geared, Gearless & their parts worldwide over the 20 countries since decades. We have numerous special versions and options which are available on request.



Mr. Babubhai J Patel



The perfectionist who ensures every detail is flawless, delivering quality and discipline with unmatched precision.

Managing Partner
SHARP ENGINEERS

Mr. Mukesh R. Patel



The strategist whose patience and vision strengthen global relationships and drive new opportunities for growth.

Managing Partner
SHARP ENGINEERS

SEG SERIES

Gearless Traction Machine

SEG-05S
FOR HOME LIFT



Voltage
230 V



Suspension
2:1



Brake
110 VDC



Max. Static Load
2000 Kg



Weight of Machine (kg)
117*

* Weight of machine is varies according to selection of sheave, Motor & Drive system.

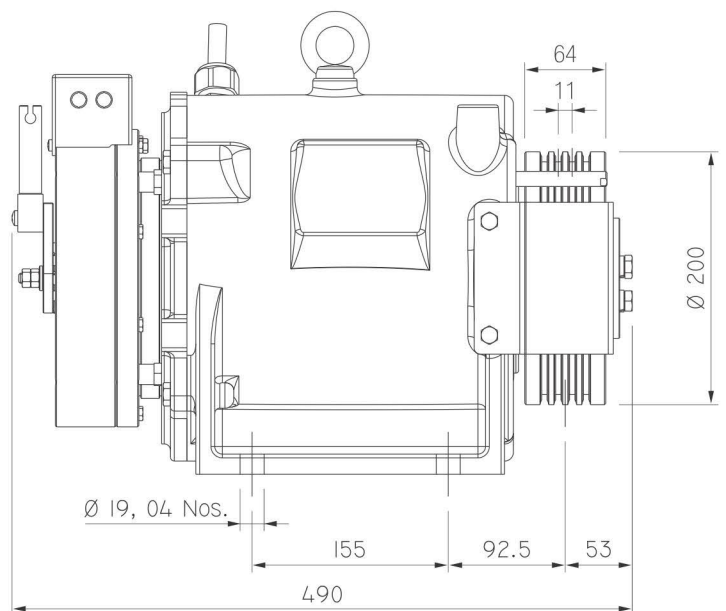
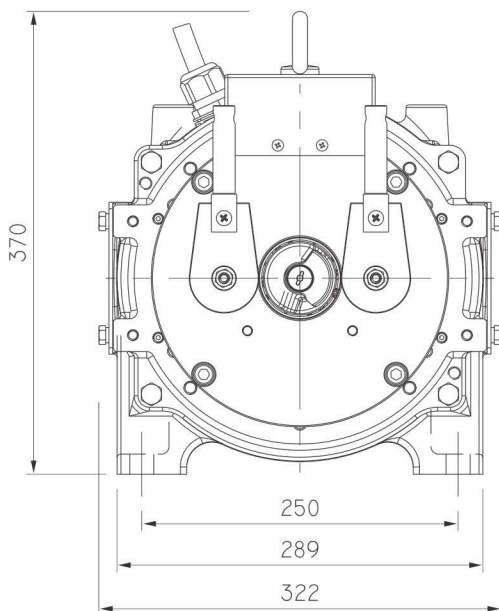


Gearless Traction Machine

SEG-05S
FOR HOME LIFT

Specification	Load (kg)	Lift Speed (m/s)	Height (m)	Sheave Dia (mm)	No. of Groove X Rope Dia	Current (A)	Toque (Nm)	Rated Speed (rpm)	Frequency (Hz)	Power (kW)	Pole	Rating	INS Class.	IP Code
S05S-4P0A3	272	0.32	≤ 20	Ø200	4 X Ø6	3.0	90	61	10.2	0.6	20	S5 (40%)	F Class	IP40
S05S-4P0A4		0.40			4 X Ø6	3.4	90	76	12.7	0.7				
S05S-4P0A5		0.50			4 X Ø6	3.7	90	96	15.9	0.9				
S05S-5P0A3	340	0.32	≤ 20	Ø200	4 X Ø6	4.0	110	61	10.2	0.7	20	S5 (40%)	F Class	IP40
S05S-5P0A4		0.40			4 X Ø6	4.2	110	76	12.7	0.9				
S05S-5P0A5		0.50			4 X Ø6	4.5	110	96	15.9	1.1				
S05S-6P0A3	408	0.32	≤ 20	Ø200	4 X Ø6	4.8	130	61	10.2	0.8	20	S5 (40%)	F Class	IP40
S05S-6P0A4		0.40			4 X Ø6	5.0	130	76	12.7	1.0				
S05S-6P0A5		0.50			4 X Ø6	5.2	130	96	15.9	1.3				

Kindly contact us for various speed and load combination



Subject to change without any prior notice!

(All dimensions are in mm)

SEG SERIES

Gearless Traction Machine

SEG-10S



Voltage
400 V



Suspension
2:1



Brake
110 VDC

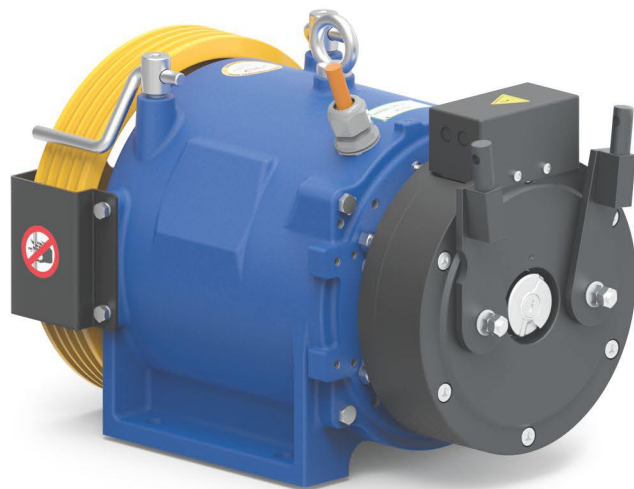


Max. Static Load
3400 Kg



Weight of Machine (kg)
139*

* Weight of machine is varies according to selection of sheave, Motor & Drive system.



Gearless Traction Machine

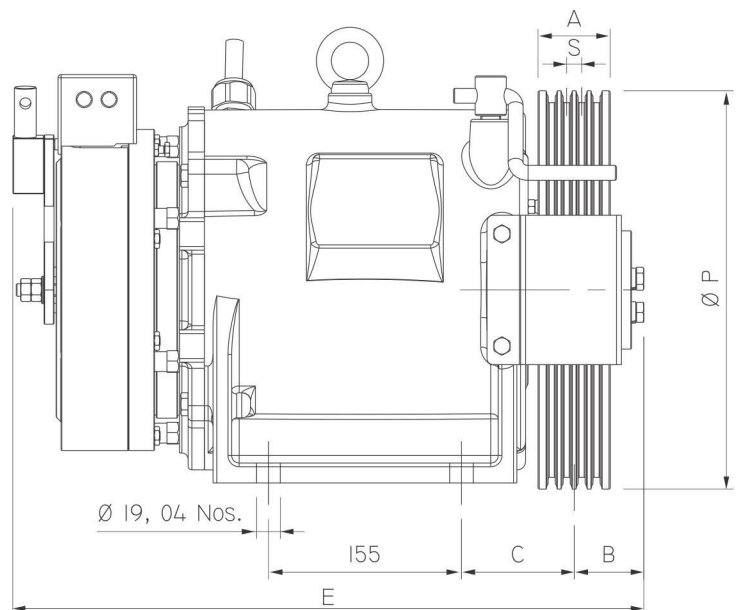
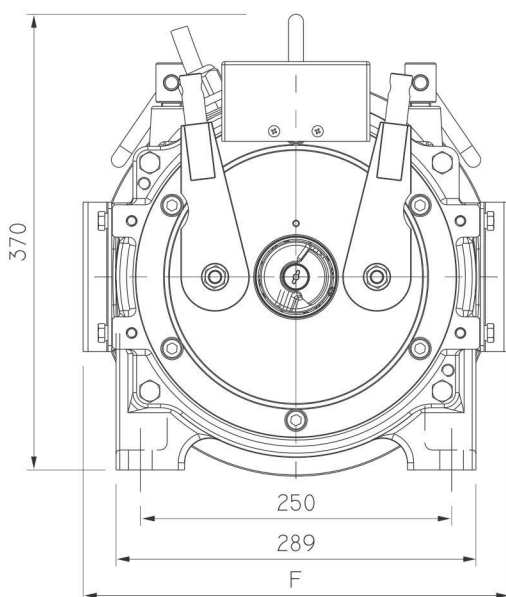
SEG-10S

Specification	Load (kg)	Lift Speed (m/s)	Height (m)	Sheave Dia (mm)	No. of Groove X Rope Dia	Current (A)	Toque (Nm)	Rated Speed (rpm)	Frequency (Hz)	Power (kW)	Pole	Rating	INS Class.	IP Code
S10S-5P1A0	340	1.00	≤ 60	Ø240	5 X Ø6.5	6.0	135	159	26.5	2.2	20	S5 (40%)	F Class	IP-40
S10S-5P1A5		1.50			5 X Ø6.5	7.5	135	239	39.8	3.3				
S10S-6P1A0	408	1.00	≤ 60	Ø240	5 X Ø6.5	7.0	165	159	26.5	2.7	20	S5 (40%)	F Class	IP-40
S10S-6P1A5		1.50			5 X Ø6.5	9.0	165	239	39.8	4.0				
S10S-8P1A0	544	1.00	≤ 60	Ø240	6 X Ø6.5	9.0	220	159	26.5	3.5	20	S5 (40%)	F Class	IP-40
S10S-8P1A5		1.50			6 X Ø6.5	12.0	220	239	39.8	5.3				
S10S-5P1B0	340	1.00	≤ 60	Ø320	4 X Ø8.0	6.0	200	119	19.9	2.5	20	S5 (40%)	F Class	IP-40
S10S-5P1B5		1.50			4 X Ø8.0	8.5	200	179	29.8	3.7				
S10S-6P1B0	408	1.00	≤ 60	Ø320	4 X Ø8.0	7.0	230	119	19.9	3.0	20	S5 (40%)	F Class	IP-40
S10S-6P1B5		1.50			4 X Ø8.0	9.5	230	179	29.8	4.3				
S10S-6P1B75		1.75			5 X Ø8.0	12.5	230	209	34.8	5.2				

Kindly contact us for various speed and load combination

ØP	A	B	C	N X ØD	E	F	S
Ø240	64	53	93.5	5 X Ø6.5	510	320	11
Ø240	97	59	110	6 X Ø6.5	530	320	11

ØP	A	B	C	N X ØD	E	F	S
Ø320	58	56	90.5	4 X Ø8	510	345	12
Ø320	70	50	96.5	5 X Ø8	510	345	12



Subject to change without any prior notice!

(All dimensions are in mm)

SEG SERIES

Gearless Traction Machine

SEG-20S



Voltage
400 V



Suspension
2:1



Brake
110 VDC



Max. Static Load
3400 Kg



Weight of Machine (kg)
162*

* Weight of machine is varies according to selection of sheave, Motor & Drive system.



Gearless Traction Machine

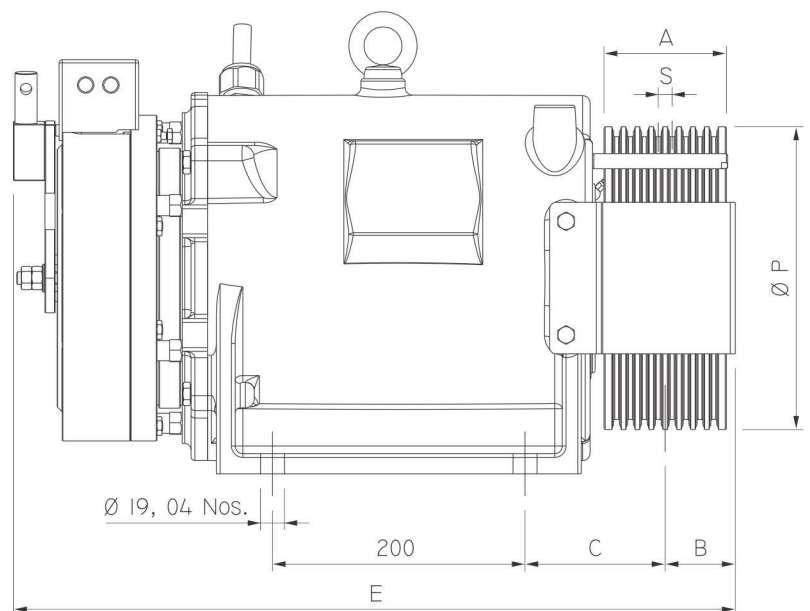
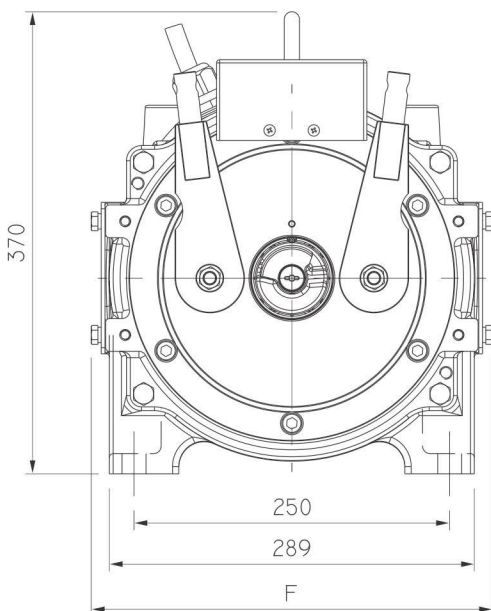


Specification	Load (kg)	Lift Speed (m/s)	Height (m)	Sheave Dia (mm)	No. of Groove X Rope Dia	Current (A)	Toque (Nm)	Rated Speed (rpm)	Frequency (Hz)	Power (kW)	Pole	Rating	INS Class.	IP Code
S20S-10P1A0	680	1.00	≤ 60	Ø240	7 X Ø6.5	10.8	280	159	26.5	4.7	20	S5 (40%)	F-Class	IP-40
S20S-10P1A5		1.50			7 X Ø6.5	14.5	280	239	39.8	7.0				
S20S-8P1B0	544	1.00	≤ 60	Ø320	4 X Ø8.0	9.2	305	119	19.9	3.8	20	S5 (40%)	F-Class	IP-40
S20S-8P1B5		1.50			5 X Ø8.0	12.2	305	179	29.8	5.7				
S20S-8P1B75		1.75			5 X Ø8.0	16.5	305	209	34.8	6.7				

Kindly contact us for various speed and load combination

ØP	A	B	C	N X ØD	E	F	S
Ø240	97	56	111	7 X Ø6.5	572	320	11

ØP	A	B	C	N X ØD	E	F	S
Ø320	58	56	91.5	4 X Ø8	552	345	12
Ø320	70	50	96.5	5 X Ø8	552	345	12



Subject to change without any prior notice!

(All dimensions are in mm)

SEG SERIES

Gearless Traction Machine

SEG-30S



Voltage
400 V



Suspension
2:1



Brake
110 VDC

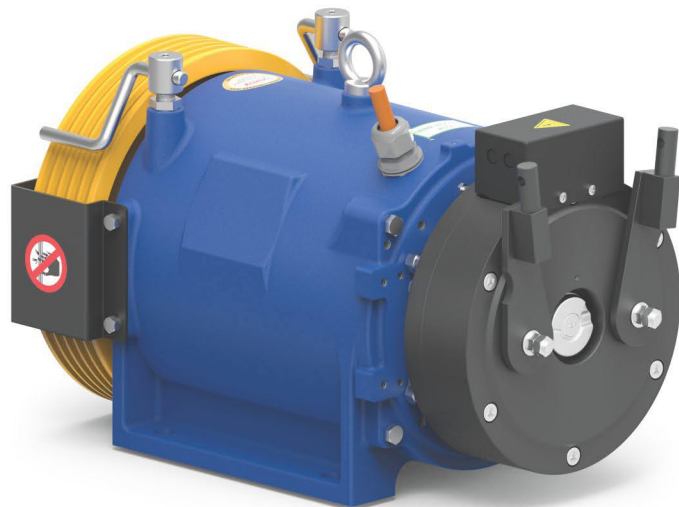


Max. Static Load
3400 Kg



Weight of Machine (kg)
167*

* Weight of machine is varies according to selection of sheave, Motor & Drive system.



Gearless Traction Machine

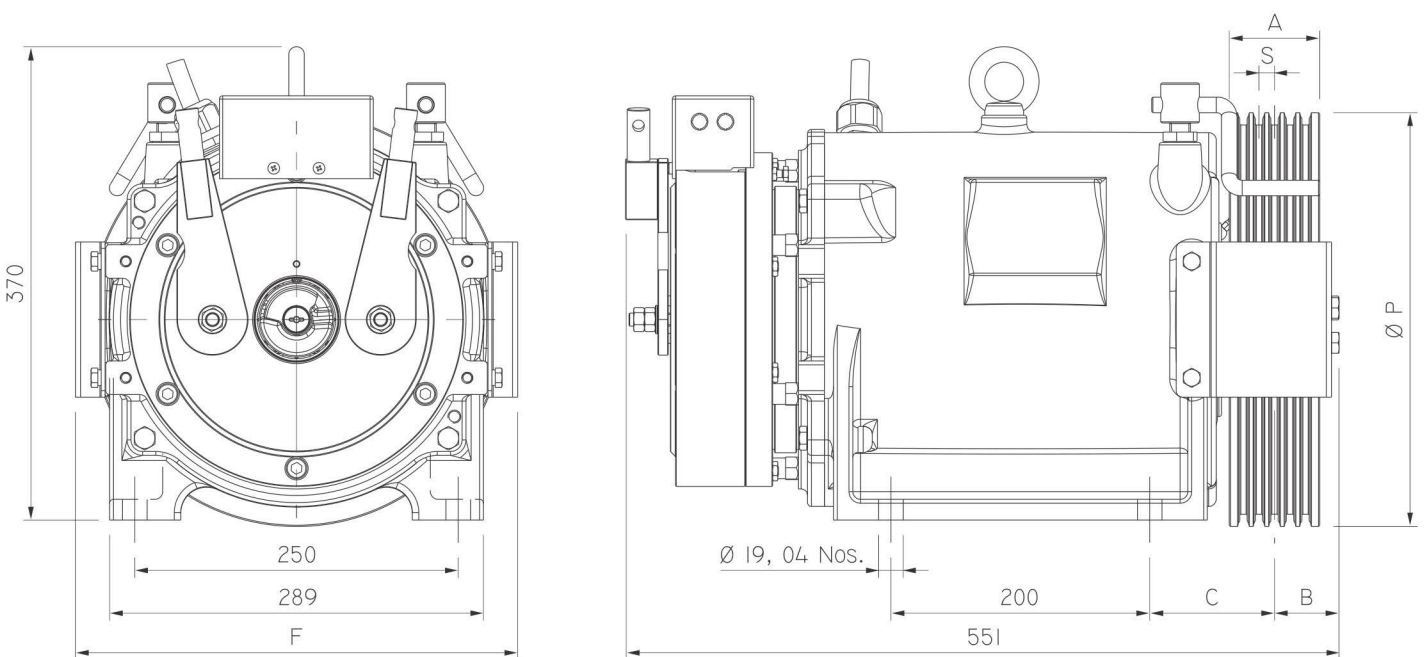
SEG-30S

Specification	Load (kg)	Lift Speed (m/s)	Height (m)	Sheave Dia (mm)	No. of Groove X Rope Dia	Current (A)	Toque (Nm)	Rated Speed (rpm)	Frequency (Hz)	Power (kW)	Pole	Rating	INS Class.	IP Code
S30S-13P1A0	884	1.00	≤ 80	Ø240	8 X Ø6.5	15.0	350	159	26.5	5.8	20	S5 (40%)	F-Class	IP40
S30S-13P1A5		1.50			8 X Ø6.5	19.2	350	239	39.8	8.8				
S30S-10P1B0	680	1.00	≤ 80	Ø320	5 X Ø8.0	12.0	380	119	19.9	4.7	20	S5 (40%)	F-Class	IP40
S30S-10P1B5		1.50			6 X Ø8.0	16.5	380	179	29.8	7.0				
S30S-10P1B75		1.75			6 X Ø8.0	20.0	380	209	34.8	8.3				

Kindly contact us for various speed and load combination

ØP	A	B	C	N X ØD	E	F	S
Ø240	97	56	111	8 X Ø6.5	572	320	11

ØP	A	B	C	N X ØD	E	F	S
Ø320	70	50	96.5	5 X Ø8	552	345	12
Ø320	82	50	102.5	6 X Ø8	558	345	12



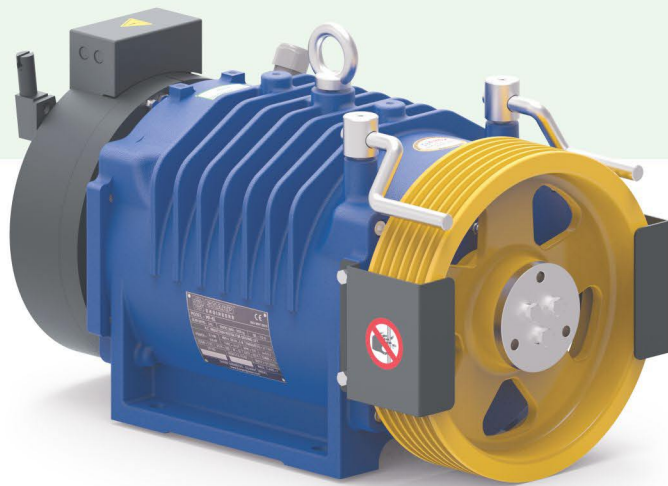
Subject to change without any prior notice!

(All dimensions are in mm)

SEG SERIES

Gearless Traction Machine

SEG-35S



Voltage
400 V



Suspension
2:1



Brake
110 VDC

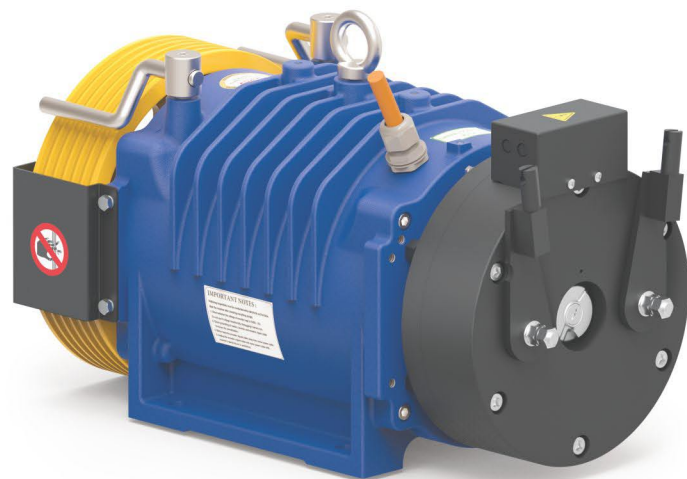


Max. Static Load
4000 Kg



Weight of Machine (kg)
220*

* Weight of machine is varies according to selection of sheave, Motor & Drive system.



Gearless Traction Machine

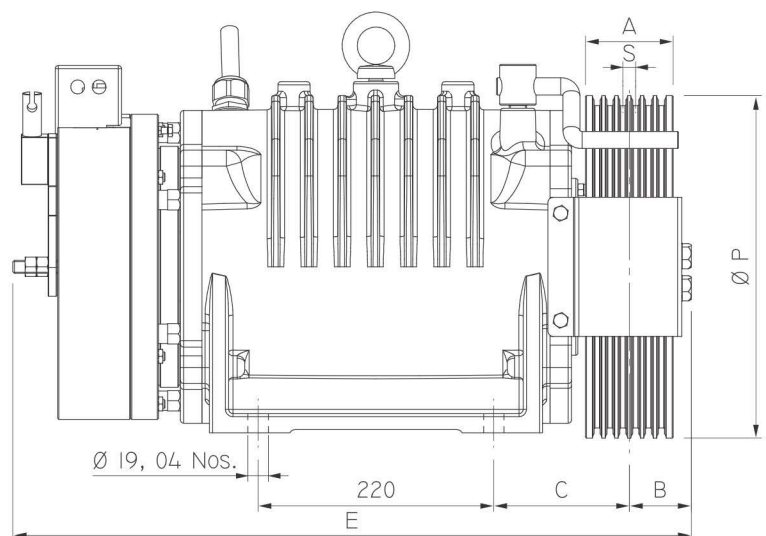
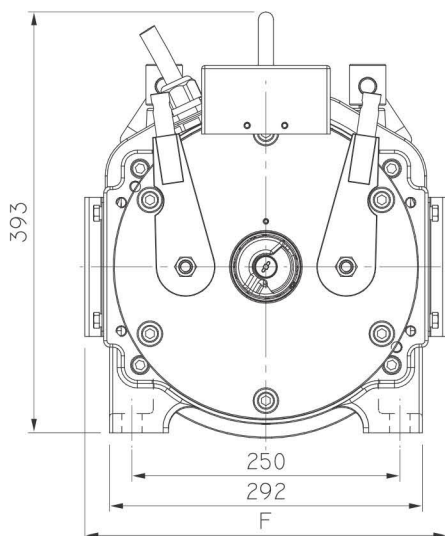
SEG-35S

Specification	Load (kg)	Lift Speed (m/s)	Height (m)	Sheave Dia (mm)	No. of Groove X Rope Dia	Current (A)	Toque (Nm)	Rated Speed (rpm)	Frequency (Hz)	Power (kW)	Pole	Rating	INS Class.	IP Code
S35S-16P1A0	1088	1.00	≤ 80	Ø240	10 X Ø6.5	17.5	440	159	26.5	7.4	20	S5 (40%)	F Class	IP-40
S35S-16P1A5		1.50			10 X Ø6.5	24.0	440	239	39.8	11.0				
S35S-16P1A75		1.75			10 X Ø6.5	27.0	440	279	46.4	12.9				
S35S-13P1B0	884	1.00	≤ 80	Ø320	6 X Ø8.0	16.0	490	119	19.9	6.0	20	S5 (40%)	F Class	IP-40
S35S-13P1B5		1.50			6 X Ø8.0	21.0	490	179	29.8	9.0				
S35S-13P1B75		1.75			7 X Ø8.0	24.0	490	209	34.8	10.6				
S35S-13P2B0		2.00			7 X Ø8.0	27.0	490	239	39.8	12.0				

Kindly contact us for various speed and load combination

ØP	A	B	C	N X ØD	E	F	S
Ø240	119	67.5	145	10 X Ø 6.5	665	324	11

ØP	A	B	C	N X ØD	E	F	S
Ø320	82	58	126.5	6 X Ø 8	635	338	12
Ø320	106	61	132.5	7 X Ø 8	638	338	12



Subject to change without any prior notice!

(All dimensions are in mm)

SEG SERIES

Gearless Traction Machine

SEG-40S



Voltage
400 V



Suspension
2:1



Brake
110 VDC

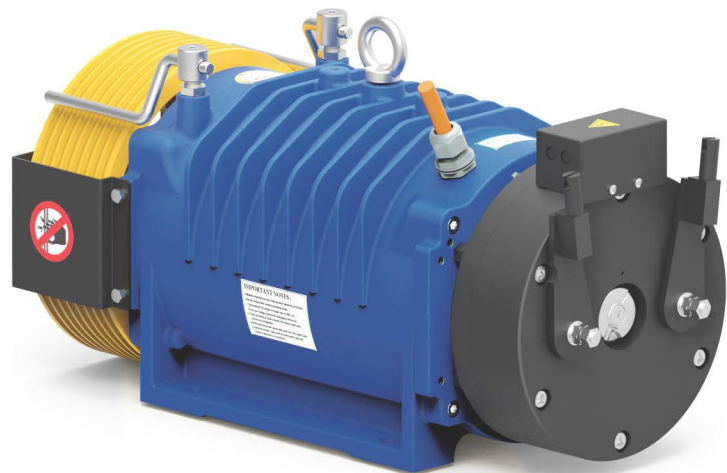


Max. Static Load
4800 Kg



Weight of Machine (kg)
245*

* Weight of machine is varies according to selection of sheave, Motor & Drive system.



Gearless Traction Machine

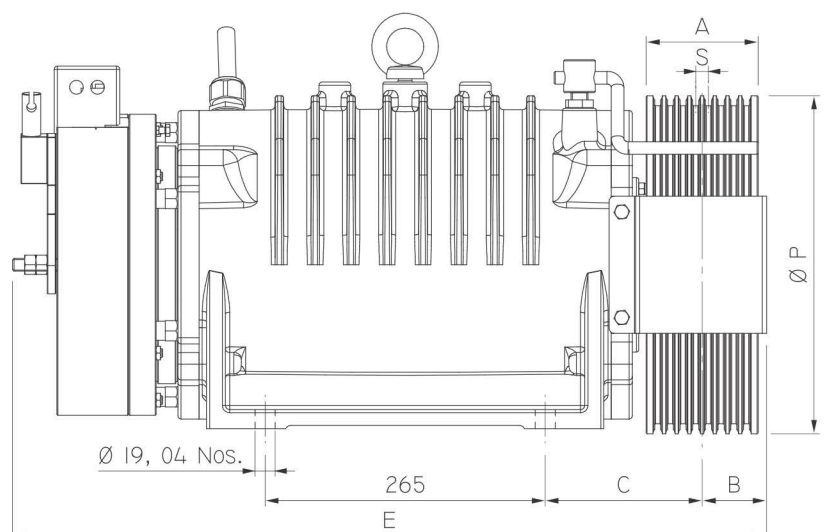
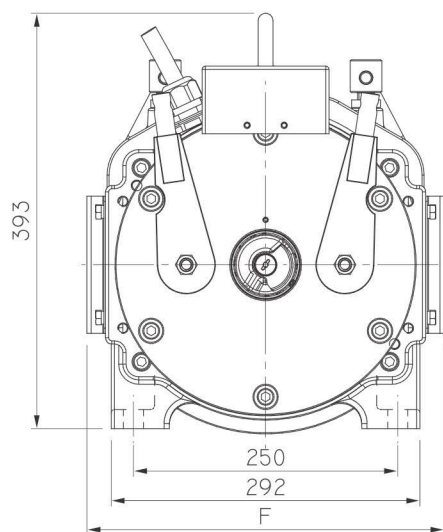
SEG-40S

Specification	Load (kg)	Lift Speed (m/s)	Height (m)	Sheave Dia (mm)	No. of Groove X Rope Dia	Current (A)	Toque (Nm)	Rated Speed (rpm)	Frequency (Hz)	Power (kW)	Pole	Rating	INS Class.	IP Code
S40S-20P1A0	1360	1.00	≤ 80	Ø240	10 X Ø 6.5	21.0	550	159	26.5	9.1	20	S5 (40%)	F Class	IP-40
S40S-20P1A5		1.50			10 X Ø 6.5	28.0	550	239	39.8	13.7				
S40S-20P1A75		1.75			10 X Ø 6.5	33.0	550	279	46.4	16.0				
S40S-16P1B0	1088	1.00	≤ 80	Ø320	7 X Ø 8.0	19.0	590	119	19.9	7.4	20	S5 (40%)	F Class	IP-40
S40S-16P1B5		1.50			7 X Ø 8.0	24.0	590	179	29.8	11.0				
S40S-16P1B75		1.75			8 X Ø 8.0	27.5	590	209	34.8	12.9				
S40S-16P2B0		2.00			8 X Ø 8.0	30.5	590	239	39.8	14.7				

Kindly contact us for various speed and load combination

ØP	A	B	C	N X ØD	E	F	S
Ø240	119	67.5	155	10 X Ø 6.5	728	324	11

ØP	A	B	C	N X ØD	E	F	S
Ø320	106	61	148.5	8 X Ø 8	715	338	12



Subject to change without any prior notice!

(All dimensions are in mm)

SEG SERIES

Gearless Traction Machine

SEG-45S



Voltage
400 V



Suspension
2:1



Brake
110 VDC

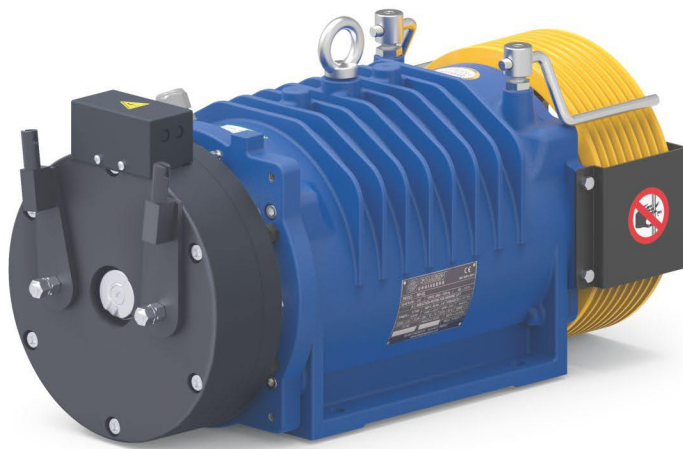


Max. Static Load
4800 Kg



Weight of Machine (kg)
265*

* Weight of machine is varies according to selection of sheave, Motor & Drive system.



Gearless Traction Machine

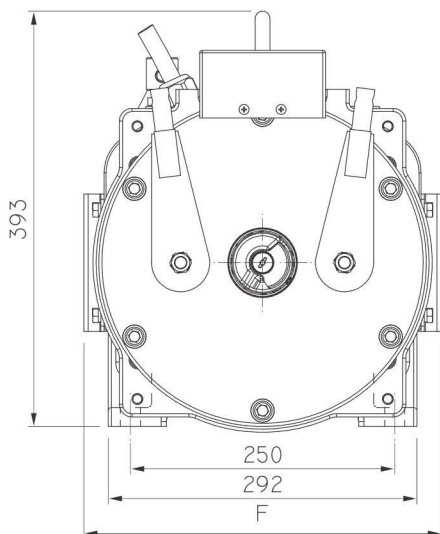
SEG-45S

Specification	Load (kg)	Lift Speed (m/s)	Height (m)	Sheave Dia (mm)	No. of Groove X Rope Dia	Current (A)	Toque (Nm)	Rated Speed (rpm)	Frequency (Hz)	Power (kW)	Pole	Rating	INS Class.	IP Code
S45S-1600P1A0	1600	1.00	≤ 80	Ø240	12 X Ø6.5	26.0	645	159	26.5	10.7	20	S5 (40%)	F Class	IP-40
S45S-1600P1A5		1.50			12 X Ø6.5	32.0	645	239	39.8	16.1				
S45S-1600P1A75		1.75			12 X Ø6.5	37.0	645	279	46.4	18.8				
S45S-1360P1B0	1360	1.00	≤ 80	Ø320	8 X Ø8.0	24.5	730	119	19.9	9.1	20	S5 (40%)	F Class	IP-40
S45S-1360P1B5		1.50			8 X Ø8.0	29.0	730	179	29.8	13.7				
S45S-1360P1B75		1.75			8 X Ø8.0	31.0	730	209	34.8	16.0				

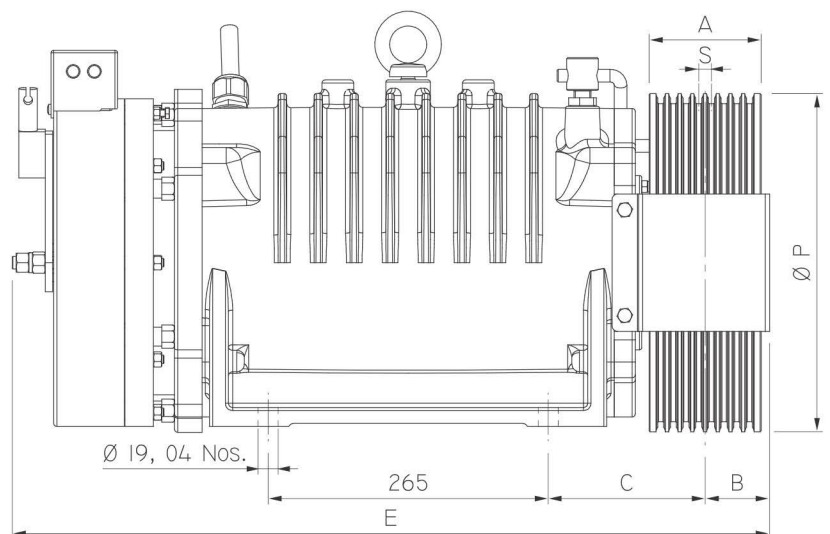
Kindly contact us for various speed and load combination

ØP	A	B	C	N X ØD	E	F	S
Ø240	141	78.5	166	12 X Ø 6.5	750	324	11

ØP	A	B	C	N X ØD	E	F	S
Ø320	106	61	148.5	8 X Ø 8	720	338	12



Subject to change without any prior notice!



(All dimensions are in mm)

SEG SERIES

Gearless Traction Machine

SEG-50S



Voltage
400 V



Suspension
2:1



Brake
110 VDC



Max. Static Load
5500 Kg



Weight of Machine (kg)
450*

* Weight of machine is varies according to selection of sheave, Motor & Drive system.



Gearless Traction Machine

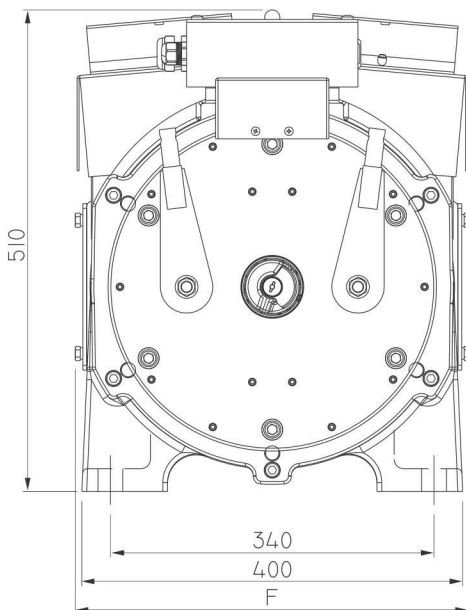
SEG-50S

Specification	Load (kg)	Lift Speed (m/s)	Height (m)	Sheave Dia (mm)	No. of Groove X Rope Dia	Current (A)	Toque (Nm)	Rated Speed (rpm)	Frequency (Hz)	Power (kW)	Pole	Rating	INS Class.	IP Code
S50S-26P1A0	1768	1.00	≤ 80	Ø320	10 X Ø8.0	32.0	950	119	23.8	11.9	24	S5 (40%)	F-Class	IP40
S50S-26P1A5		1.50			10 X Ø8.0	36.0	950	179	35.8	17.8				
S50S-26P1A75		1.75			10 X Ø8.0	45.0	950	209	41.8	20.8				
S50S-2000P1A0	2000	1.00	≤ 80	Ø320	10 X Ø8.0	38.0	1080	119	23.8	13.4	24	S5 (40%)	F-Class	IP40
S50S-2000P1A5		1.50			10 X Ø8.0	43.0	1080	179	35.8	20.0				
S50S-2000P1A75		1.75			11 X Ø8.0	52.0	1080	209	41.8	23.8				
S50S-22P1B0	1500	1.00	≤ 80	Ø400	8 X Ø10.0	37.5	1030	96	19.1	10.2	24	S5 (40%)	F-Class	IP40
S50S-22P1B5		1.50			8 X Ø10.0	40.0	1030	143	28.6	15.3				
S50S-22P1B75		1.75			8 X Ø10.0	43.0	1030	167	33.4	18.0				

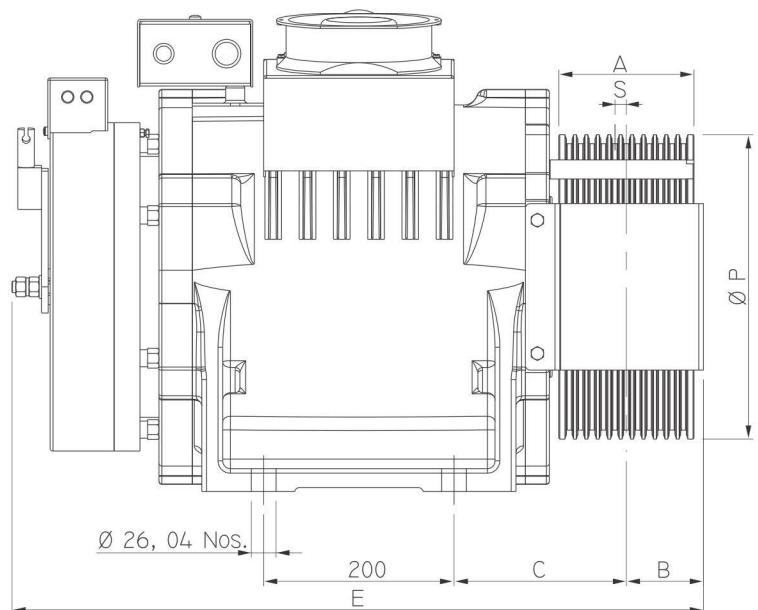
Kindly contact us for various speed and load combination

ØP	A	B	C	N X ØD	E	F	S
Ø400	136	78	178	7 X Ø10	720	426	16
				8 X Ø10			

ØP	A	B	C	N X ØD	E	F	S
Ø320	142	81	181	8 X Ø8	726	415	12
				10 X Ø8			
				11 X Ø8			



Subject to change without any prior notice!



(All dimensions are in mm)

SEG SERIES

Gearless Traction Machine

SEG-60S



Voltage
400 V



Suspension
2:1



Brake
110 VDC



Max. Static Load
6500 Kg



Weight of Machine (kg)
507*

* Weight of machine is varies according to selection of sheave, Motor & Drive system.



Gearless Traction Machine

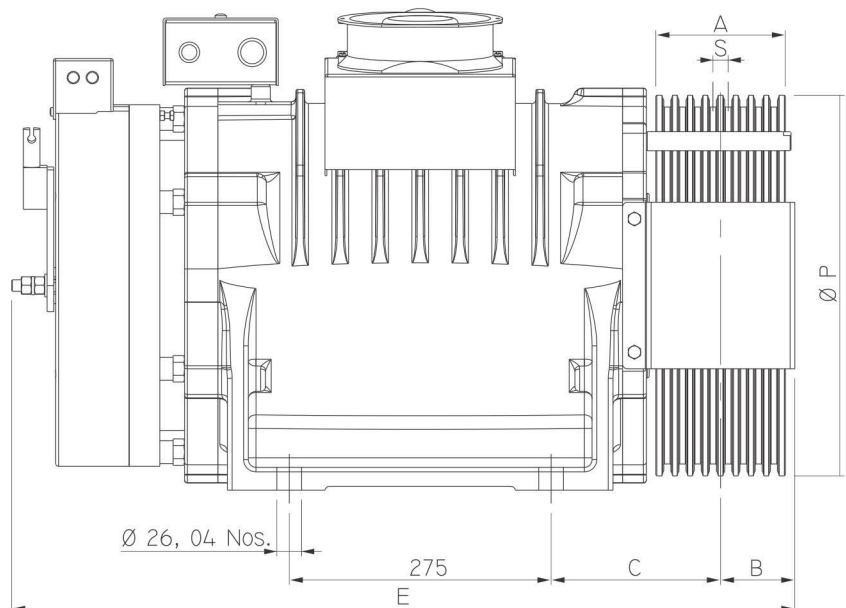
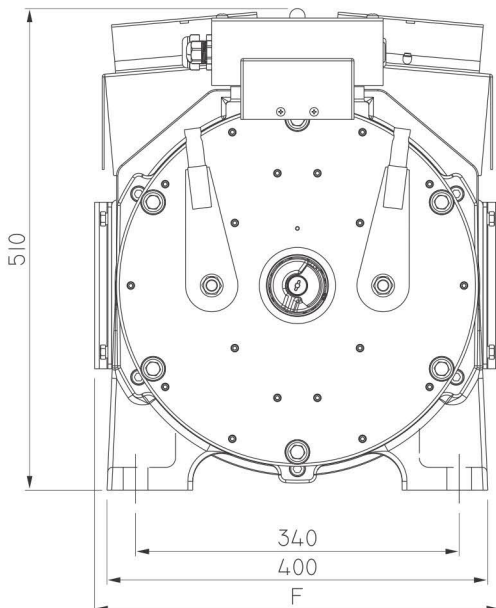


Specification	Load (kg)	Lift Speed (m/s)	Height (m)	Sheave Dia (mm)	No. of Groove X Rope Dia	Current (A)	Toque (Nm)	Rated Speed (rpm)	Frequency (Hz)	Power (kW)	Pole	Rating	INS Class.	IP Code
S60S-2500P1A0	2500	1.00	≤ 80	Ø320	11 X Ø8.0	42.0	1330	119	23.8	16.6	24	S5 (40%)	F-Class	IP-40
S60S-2500P1A5		1.50			11 X Ø8.0	52.0	1330	179	35.8	25.0				
S60S-2000P1B0	2000	1.00	≤ 80	Ø400	8 X Ø10.0	47.0	1350	96	19.1	13.5	24	S5 (40%)	F-Class	IP-40
S60S-2000P1B5		1.50			8 X Ø10.0	51.0	1350	143	28.6	20.2				
S60S-2000P1B75		1.75			8 X Ø10.0	53.0	1350	167	33.4	23.7				
S65S-3000P0A5	3000	0.50	≤ 80	Ø320	11 X Ø8.0	30.0	1590	60	10.0	10.0	24	S5 (40%)	F-Class	IP-40
S65S-3000P1A0		1.00			11 X Ø8.0	51.0	1590	119	23.8	16.6				

Kindly contact us for various speed and load combination

ØP	A	B	C	N X ØD	E	F	S
Ø400	136	78	178	8 X Ø10	823	426	16

ØP	A	B	C	N X ØD	E	F	S
Ø320	142	81	181	10 X Ø8	829	415	12
				11 X Ø8			



Subject to change without any prior notice!

(All dimensions are in mm)

SEG SERIES

Gearless Traction Machine

(SEG-70)



Voltage
400 V



Suspension
2:1



Brake
110 VDC



Max. Static Load
10500 Kg



Weight of Machine (kg)
875*

* Weight of machine is varies according to selection of sheave, Motor & Drive system.



Gearless Traction Machine

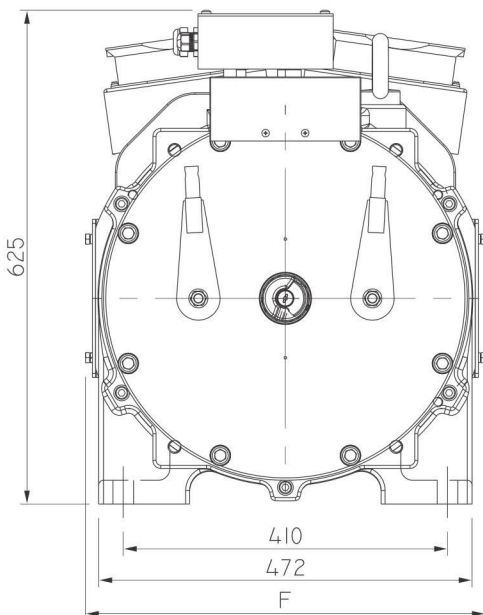
(SEG-70)

Specification	Load (kg)	Lift Speed (m/s)	Height (m)	Sheave Dia (mm)	No. of Groove X Rope Dia	Current (A)	Toque (Nm)	Rated Speed (rpm)	Frequency (Hz)	Power (kW)	Pole	Rating	INS Class.	IP Code
S70-2500P1B0	2500	1.00	≤ 80	Ø400	9 X Ø10.0	46.0	1690	96	19.1	16.9	24	S5 (40%)	F-Class	IP-40
S70-2500P1B5		1.50			9 X Ø10.0	64.0	1690	143	28.6	25.3				
S70-2500P2B0		2.00			9 X Ø10.0	72.0	1690	191	38.2	33.8				
S70-3000P1B0	3000	1.00	≤ 80	Ø400	11 X Ø10.0	60.0	2020	96	19.1	20.1	24	S5 (40%)	F-Class	IP-40
S70-3000P1B5		1.50			11 X Ø10.0	78.0	2020	143	28.6	30.2				
S70-3000P2B0		2.00			11 X Ø10.0	86.0	2020	191	38.2	40.3				
S70-3000P1C0	3000	1.00	≤ 80	Ø450	10 X Ø11.0	61.0	2250	85	17.0	20.1	24	S5 (40%)	F-Class	IP-40
S70-3000P1C5		1.50			10 X Ø11.0	76.0	2250	127	25.5	30.2				
S70-3000P2C0		2.00			10 X Ø11.0	91.0	2250	170	34.0	40.3				
S70-3000P2C5		2.50			10 X Ø11.0	96.0	2250	191	38.2	45.0				

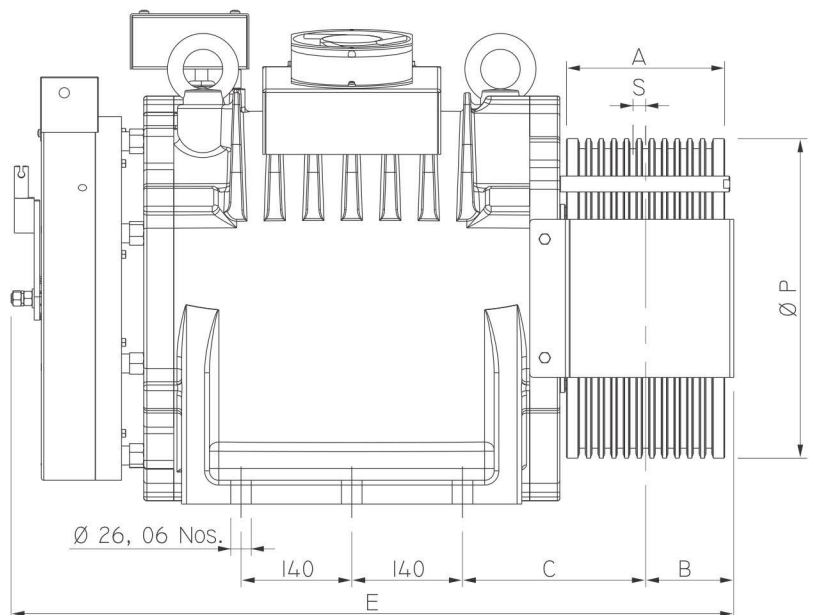
Kindly contact us for various speed and load combination

ØP	A	B	C	N X ØD	E	F	S
Ø400	200	112	232	9 X Ø10	915	510	16
				11 X Ø10			

ØP	A	B	C	N X ØD	E	F	S
Ø450	185	105.5	224.5	10 X Ø11	900	510	16



Subject to change without any prior notice!



(All dimensions are in mm)

SEG SERIES

Gearless Traction Machine

SEG *β1*
Belt Drive



Voltage
400 V



Suspension
2:1



Brake
110 VDC



Max. Static Load
2000 Kg



Weight of Machine (kg)
125*

* Weight of machine is varies according to selection of sheave, Motor & Drive system.

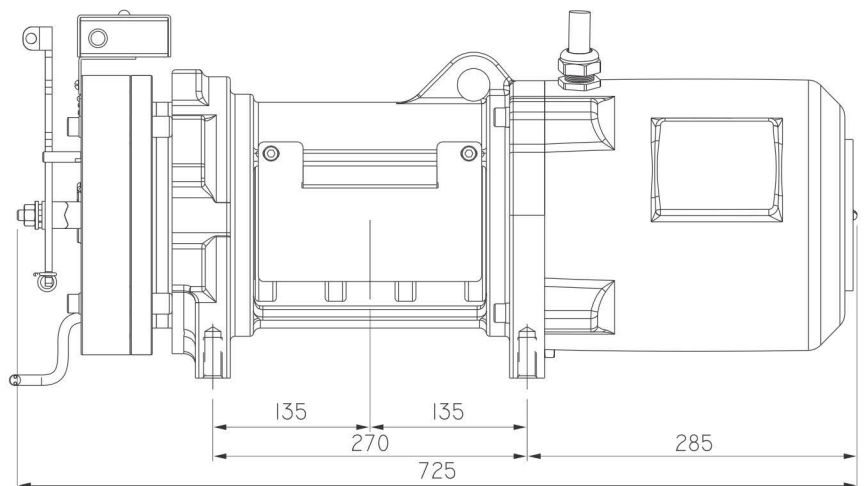
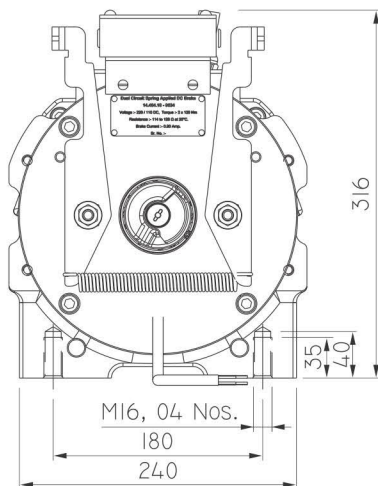


Gearless Traction Machine

SEG β 1 Belt Drive

Specification	Load (kg)	Lift Speed (m/s)	Sheave Dia (mm)	Belt Detail (n X D)	Current (A)	Toque (Nm)	Rated Speed (rpm)	Frequency (Hz)	Power (kW)
S β 1- 6P1A0	408	1.00	110	3 X 30	8.0	85	348	34.8	3.0
S β 1- 6P1A6		1.60		3 X 30	10.2	85	556	55.6	4.9
S β 1- 8P1A0	544	1.00	110	3 X 30	9.8	110	348	34.8	4.0
S β 1- 8P1A6		1.60		3 X 30	11.8	110	556	55.6	6.3
S β 2 - 10P1A0	680	1.00	110	3 X 30	11.8	140	348	34.8	5.0
S β 2 - 10P1A6		1.60		3 X 30	15.2	140	556	55.6	8.0
S β 2 - 13P1A0	884	1.00	110	4 X 30	13.0	180	348	34.8	6.5
S β 2 - 13P1A6		1.60		4 X 30	17.5	180	556	55.6	10.3
S β 3 - 16P1A0	1088	1.00	110	5 X 30	16.0	220	348	34.8	7.9
S β 3 - 16P1A6		1.60		5 X 30	21.5	220	556	55.6	12.7

Kindly contact us for various speed and load combination



* Kindly contact sales team for G.A. drawing of SEG-B2 & SEG-B3

Subject to change without any prior notice!

(All dimensions are in mm)

SEW SERIES

Gearless Traction Machine



Voltage
400 V



Suspension
2:1



Brake
110 VDC

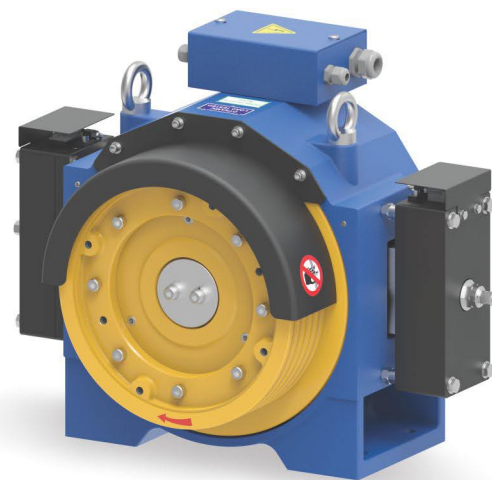


Max. Static Load
2000 Kg



Weight of Machine (kg)
250*

* Weight of machine is varies according to selection of sheave, Motor & Drive system.

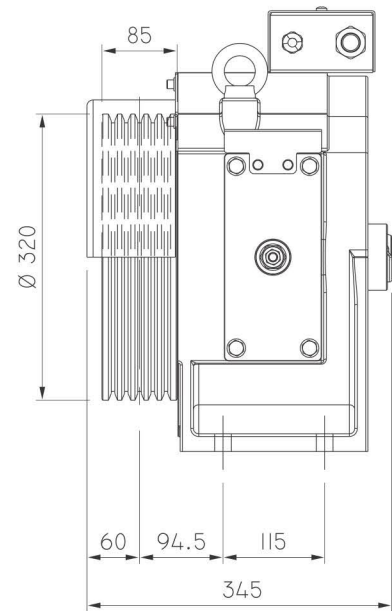
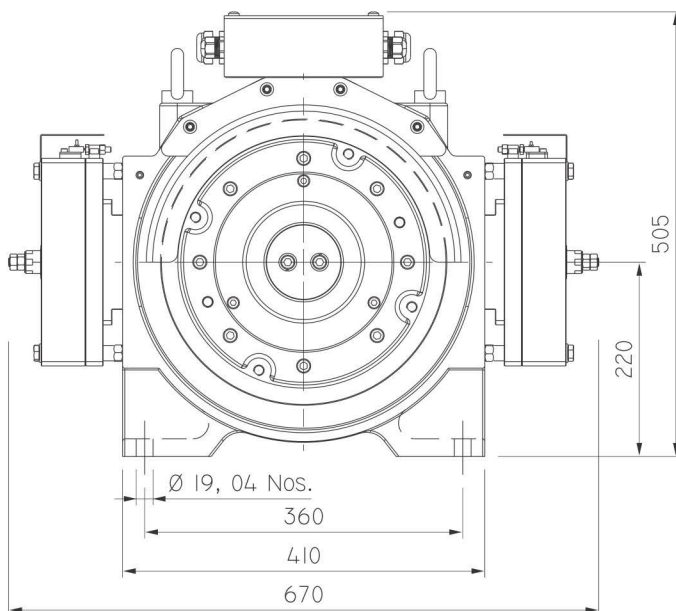


Gearless Traction Machine



Specification	Load (kg)	Lift Speed (m/s)	Height (m)	Sheave Dia (mm)	No. of Groove X Rope Dia	Current (A)	Toque (Nm)	Rated Speed (rpm)	Frequency (Hz)	Power (kW)	Pole	Rating	INS Class.	IP Code
SEW10-5P1A00	340	1.00	≤ 80	Ø320	4 X Ø8	7.5	200	119	23.8	2.5	24	S5 (40%)	F-Class	IP-40
SEW10-5P1A50		1.50			4 X Ø8	10.2	200	179	35.8	3.7				
SEW10-5P1A75		1.75			4 X Ø8	11.8	200	209	41.8	4.4				
SEW10-6P1A00	408	1.00	≤ 80	Ø320	4 X Ø8	8.4	230	119	23.8	3.0	24	S5 (40%)	F-Class	IP-40
SEW10-6P1A50		1.50			4 X Ø8	12.0	230	179	35.8	4.3				
SEW10-6P1A75		1.75			5 X Ø8	14.2	230	209	41.8	5.0				
SEW10-8P1A00	544	1.00	≤ 80	Ø320	4 X Ø8	11.2	305	119	23.8	3.8	24	S5 (40%)	F-Class	IP-40
SEW10-8P1A50		1.50			5 X Ø8	14.5	305	179	35.8	5.7				
SEW10-8P1A75		1.75			5 X Ø8	16.8	305	209	41.8	6.6				
SEW10-10P1A00	680	1.00	≤ 80	Ø320	5 X Ø8	14.0	380	119	23.8	4.7	24	S5 (40%)	F-Class	IP-40
SEW10-10P1A50		1.50			6 X Ø8	18.5	380	179	35.8	7.0				

Kindly contact us for various speed and load combination

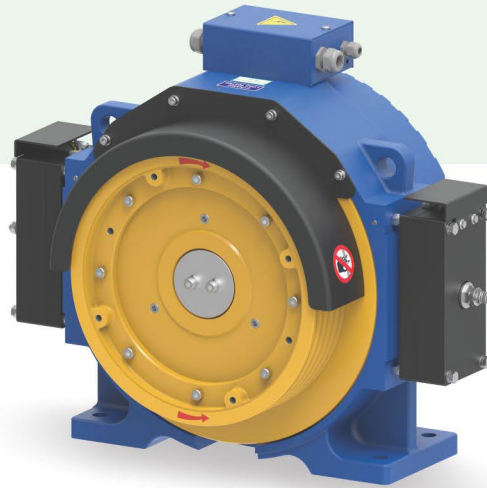


Subject to change without any prior notice!

(All dimensions are in mm)

SEW SERIES

Gearless Traction Machine



Voltage
400 V



Suspension
2:1



Brake
110 VDC



Max. Static Load
3200 Kg



Weight of Machine (kg)
410*

* Weight of machine is varies according to selection of sheave, Motor & Drive system.



Gearless Traction Machine

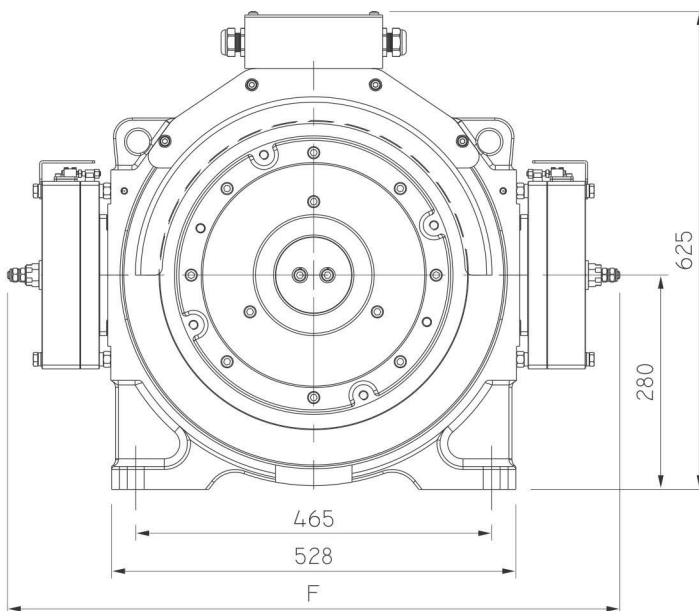


Specification	Load (kg)	Lift Speed (m/s)	Height (m)	Sheave Dia (mm)	No. of Groove X Rope Dia	Current (A)	Toque (Nm)	Rated Speed (rpm)	Frequency (Hz)	Power (kW)	Pole	Rating	INS Class.	IP Code
SEW20-10P1A00	680	1.00	≤ 80	Ø400	4 X Ø10	13.2	460	96	25.5	4.7	32	S5 (40%)	F-Class	IP-40
SEW20-10P1A50		1.50			4 X Ø10	16.5	460	144	38.4	7.0				
SEW20-10P2A00		2.00			5 X Ø10	20.5	460	191	51.0	9.3				
SEW20-13P1A00	884	1.00	≤ 80	Ø400	5 X Ø10	15.0	590	96	25.5	6.0	32	S5 (40%)	F-Class	IP-40
SEW20-13P1A50		1.50			5 X Ø10	19.0	590	144	38.4	9.0				
SEW20-13P2A00		2.00			6 X Ø10	23.5	590	191	51.0	12.0				
SEW20-16P1A00	1088	1.00	≤ 80	Ø400	6 X Ø10	17.8	730	96	25.5	7.3	32	S5 (40%)	F-Class	IP-40
SEW20-16P1A50		1.50			6 X Ø10	24.2	730	144	38.4	11.0				
SEW20-16P2A00		2.00			7 X Ø10	29.5	730	191	51.0	14.6				
SEW20-18P1A00	1224	1.00	≤ 80	Ø340	8 X Ø8	21.5	730	112	30.0	8.4	32	S5 (40%)	F-Class	IP-40
SEW20-18P1A50		1.50			8 X Ø8	28.5	730	169	45.0	12.6				

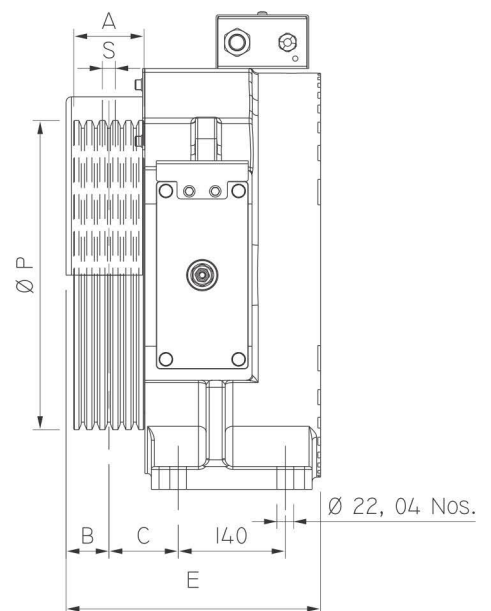
Kindly contact us for various speed and load combination

ØP	A	B	C	N X ØD	E	F	S
Ø340	112	68	100.5	8 X Ø8	355	800	12

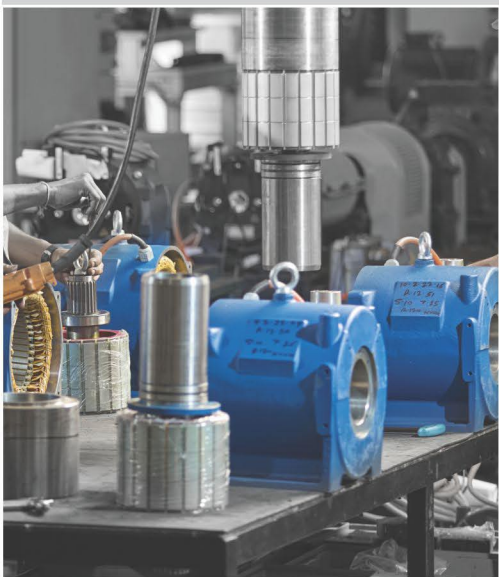
ØP	A	B	C	N X ØD	E	F	S
Ø400	92	56	90.5	4 / 5 X Ø10	335	800	16
	120	77	99.5	7 X Ø10	365		



Subject to change without any prior notice!



(All dimensions are in mm)



SERVICE OVERVIEW



Better Service for
Satisfied Customers

As we say 'Elevating the Experience' we follow the same motto to provide service to all our OEM Partners. We are there 24 X 7 for all our partners.



FAST SERVICE



RELIABILITY



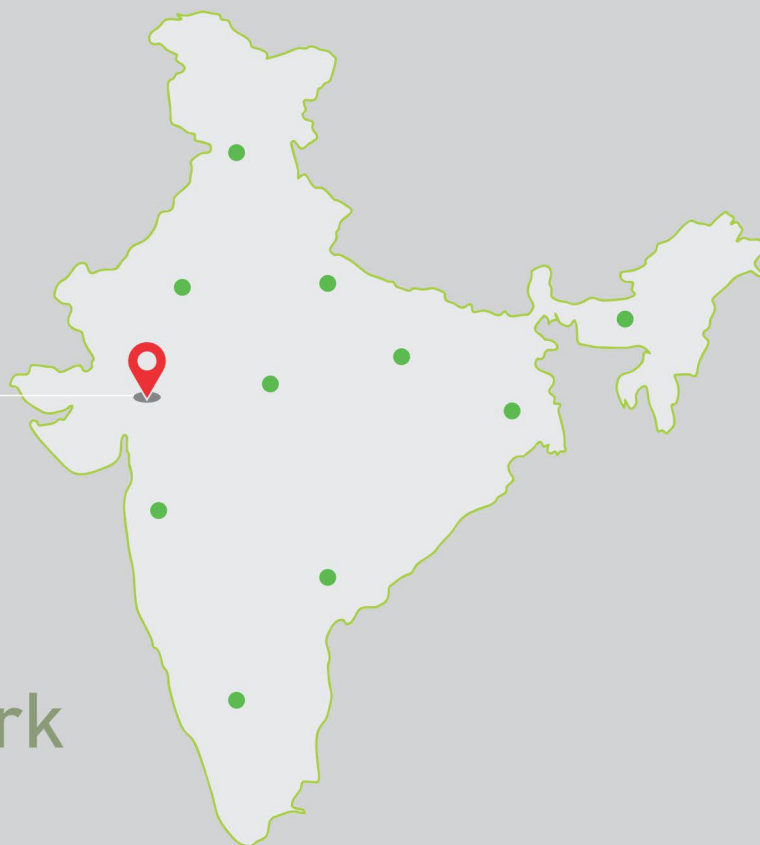
SAFETY



SERVICE



SHARPTM
ENGINEERS



Technical Support by Well Built

Service Network



25 Global Presence Countries





SCAN ME



552,'A' Road, Cross Road-12, G.I.D.C. Kathwada, Ahmedabad-382430. Gujarat, India. Phone : + 91 79 2290 1711, 12,14, 15.
E-mail : info@sharpengineers.com / sales@sharpengineers.com Website : www.sharpengineers.com

Follow Us

