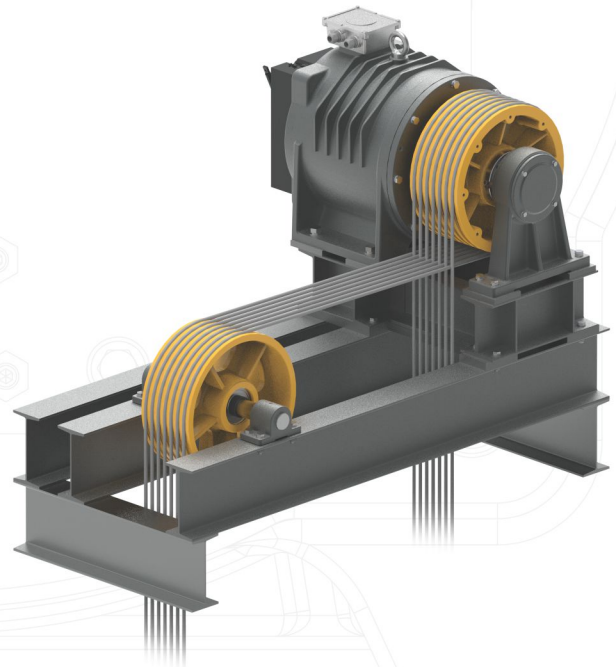
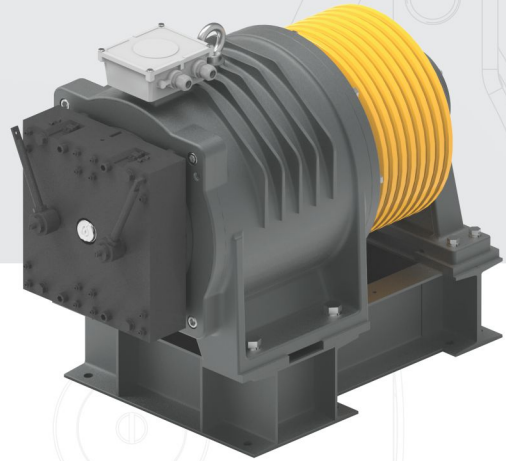




Long Wrap Machine 270 Degree Wrap Angle (2500 LBS)

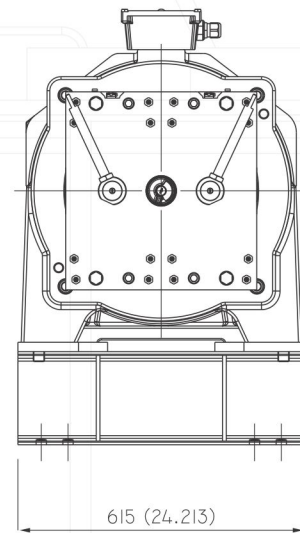
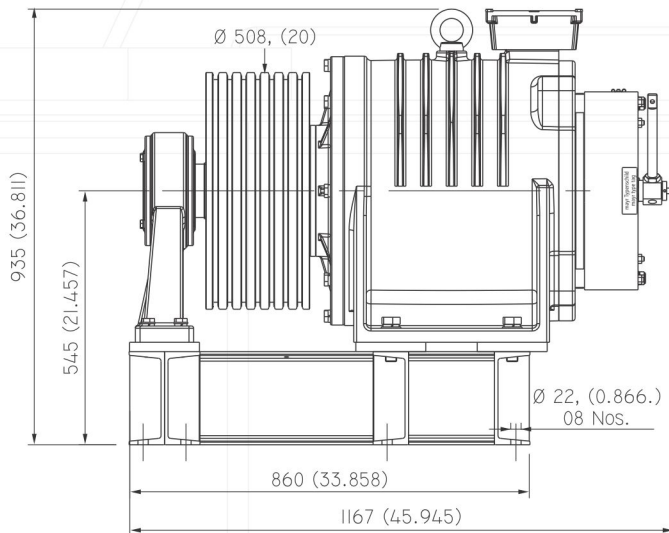


SPECIFICATION

Roping		1:1
Max. Sheave shaft Load	lbs (Kg)	26700 (12110)
Max. Elevator Capacity 100%	lbs (Kg)	2500 (1134)
Max. Elevator Speed	fpm (m/sec)	500 (2.54)
Sheave Diameter / Rope Size / No. of Ropes	Inch	Ø20" X 1/2" X 7 Ropes
Max. Rated Power	Kw (HP)	19.8 (26.6)
Max. Rated Torque	ft-lbs (Nm)	1463 (1984)
Max. Rated Torque (125%)	ft-lbs (Nm)	1829 (2480)
Rated Voltage	V	380
Brake Torque at Sheave (125%)	ft-lbs (Nm)	1829 (2480)
Machine Weight	lbs (Kg)	2744 (1245)*

* Weight of machine is varies according to selection of Sheave, Motor & Drive system.

- CSA B44.1/ASME A17.5 Certification



Subject to change without any prior notice!

All Dimension are in mm (inch).



Long Wrap Machine

270 Degree Wrap Angle
(2500 LBS)

MACHINE DUTY TABLE :

ROPING : 1:1

BALANCING : 40%

Description	Elevator Duty		Car Speed		Rated Power		Rated Speed	Rated Freq.	Rated Voltage	Rated Current	Rated Torque		Main Sheave
	(lbs)	(Kg)	(fpm)	(m/sec)	(HP)	(kW)	(RPM)	(Hz)		(A)	(Nm)	(ft/lbs)	
SEGX72515020L	2500	1134	150	0.76	8.0	5.9	29	5.7	380	35.0	1984	1463	Ø20" x 1/2" x 7 Groove
SEGX72520020L	2500	1134	200	1.02	10.7	8.0	38	7.7	380	35.0	1984	1463	
SEGX72525020L	2500	1134	250	1.27	13.3	10.0	48	9.6	380	35.0	1984	1463	
SEGX72530020L	2500	1134	300	1.52	15.9	11.9	57	11.4	380	38.0	1984	1463	
SEGX72535020L	2500	1134	350	1.78	18.6	13.9	67	13.4	380	38.0	1984	1463	
SEGX72540020L	2500	1134	400	2.03	21.2	15.8	76	15.2	380	51.0	1984	1463	
SEGX72545020L	2500	1134	450	2.29	24.0	17.9	86	17.2	380	51.0	1984	1463	
SEGX72550020L	2500	1134	500	2.54	26.6	19.8	96	19.1	380	51.0	1984	1463	