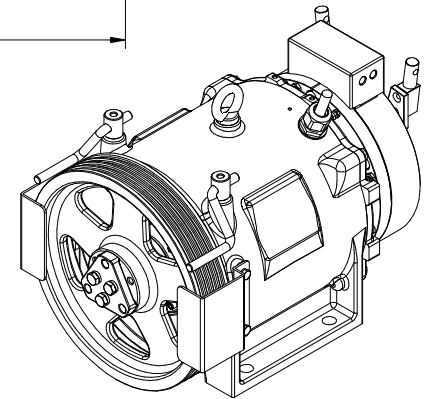
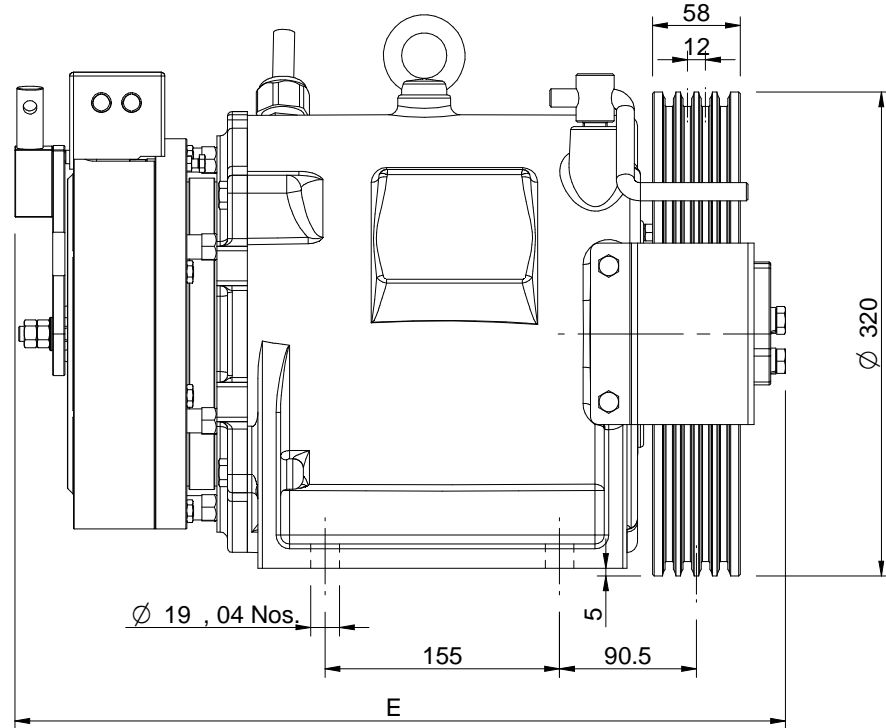
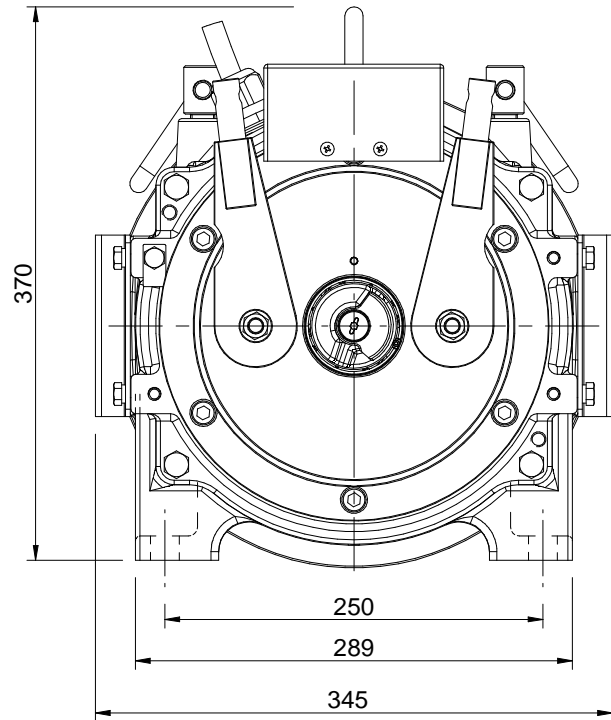


SEG-10S GA DRW



Ø P	A	B	C	N X Ø D	E	F	S
240	64	56	93.5	5 X Ø 6.5	510	320	11
240	97	57.5	110	6 X Ø 6.5	530	320	11
320	58	56	90.5	4 X Ø 8	510	342	12
320	70	53	96.5	5 X Ø 8	510	342	12

ALL DIMENSION ARE IN MM UNLESS OTHERWISE SPECIFIED.
 THE INFORMATION CONTAINED IN THIS DRAWING IS THE ONLY PROPERTY OF SHARP ENGINEERS
 ANY REPRODUCTION IN PART OR AS WHOLE WITHOUT THE WRITTEN PERMISSION OF SHARP
 ENGINEERS IS PROHIBITED.

REVISION No.	DESCRIPTION	DATE	APPROVED BY	DRWN BY ANKIT PATEL DRWN DATE 14/07/2022	SIZE A4	SCALE 1:5		TITLE:-
--------------	-------------	------	-------------	---	------------	--------------	--	---------

SEG-10S
G.A.DRAWING

