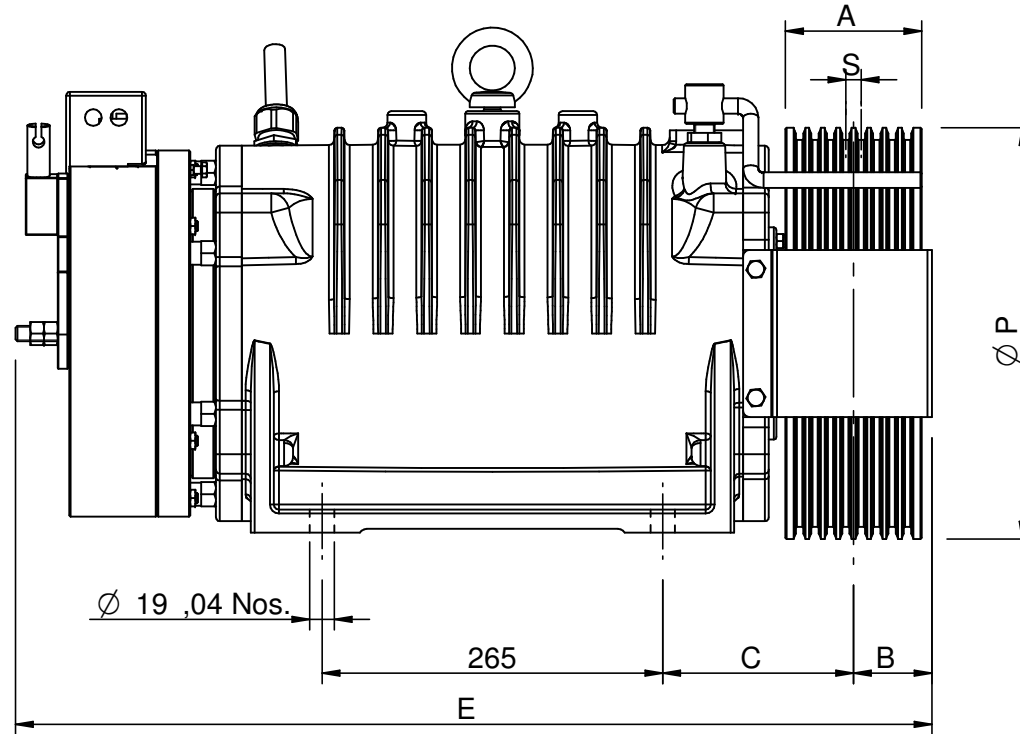
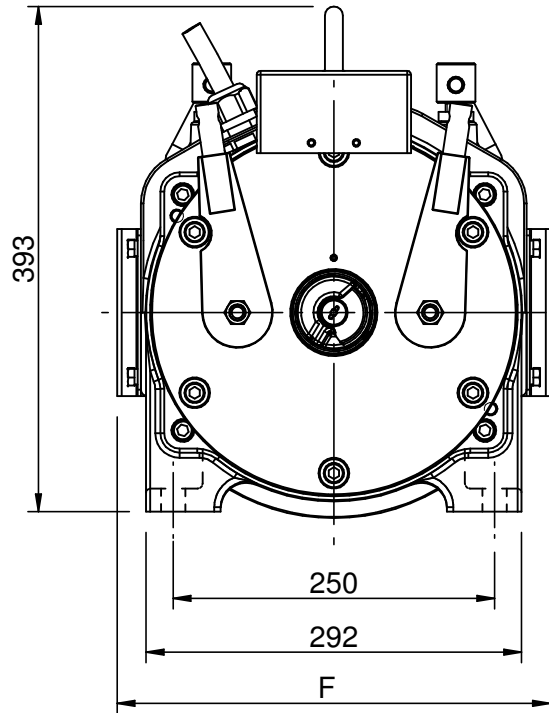
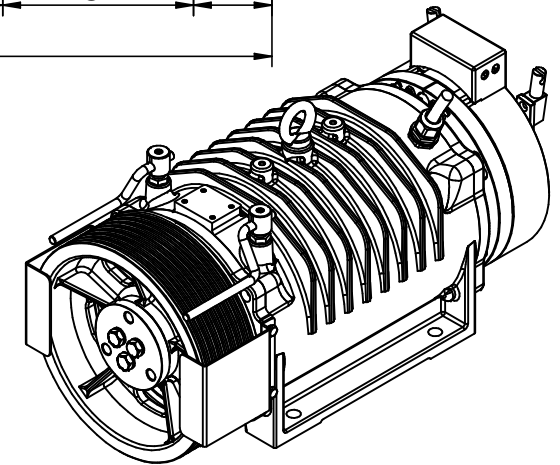


THE INFORMATION CONTAINED IN THIS DRAWING IS THE ONLY PROPERTY OF SHARP ENGINEERS. ANY REPRODUCTION IN PART OR AS WHOLE WITHOUT THE WRITTEN PERMISSION OF SHARP ENGINEERS IS PROHIBITED.



Ø P	A	B	C	N X Ø D	E	F	S
240	119	67.5	155	10 X Ø 6.5	728	324	11
320	106	61	148.5	8 X Ø 8	715	338	12



REVISION No.	DESCRIPTION	DATE	APPROVED BY	DRWN BY ANKIT PATEL	SIZE A4	SCALE	TITLE:-
				DRWN DATE 14/07/2022			SEG-40S G.A.DRAWING

