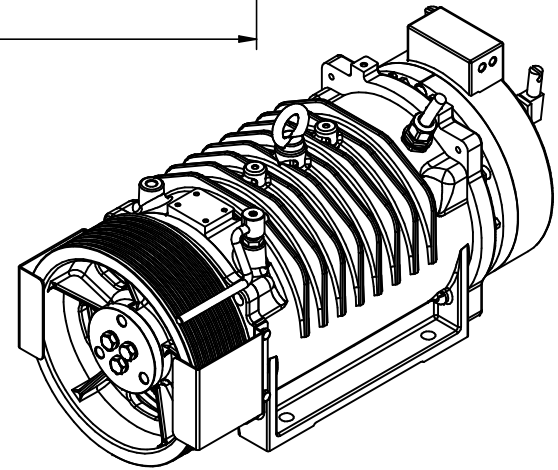


ALL DIMENSION ARE IN MM UNLESS OTHERWISE SPECIFIED.
 THE INFORMATION CONTAINED IN THIS DRAWING IS THE ONLY PROPERTY OF SHARP ENGINEERS
 ANY REPRODUCTION IN PART OR AS WHOLE WITHOUT THE WRITTEN PERMISSION OF SHARP
 ENGINEERS IS PROHIBITED.

Ø P	A	B	C	N X Ø D	E	F	S
240	141	78.5	166	12 X Ø 6.5	750	324	11
320	106	61	148.5	8 X Ø 8	720	338	12



REVISION No.	DESCRIPTION	DATE	APPROVED BY	DRWN BY ANKIT PATEL DRWN DATE 14/07/2022	SIZE A4	SCALE 	TITLE:- SEG-45S G.A.DRAWING	
--------------	-------------	------	-------------	---	------------	-----------	-----------------------------------	--