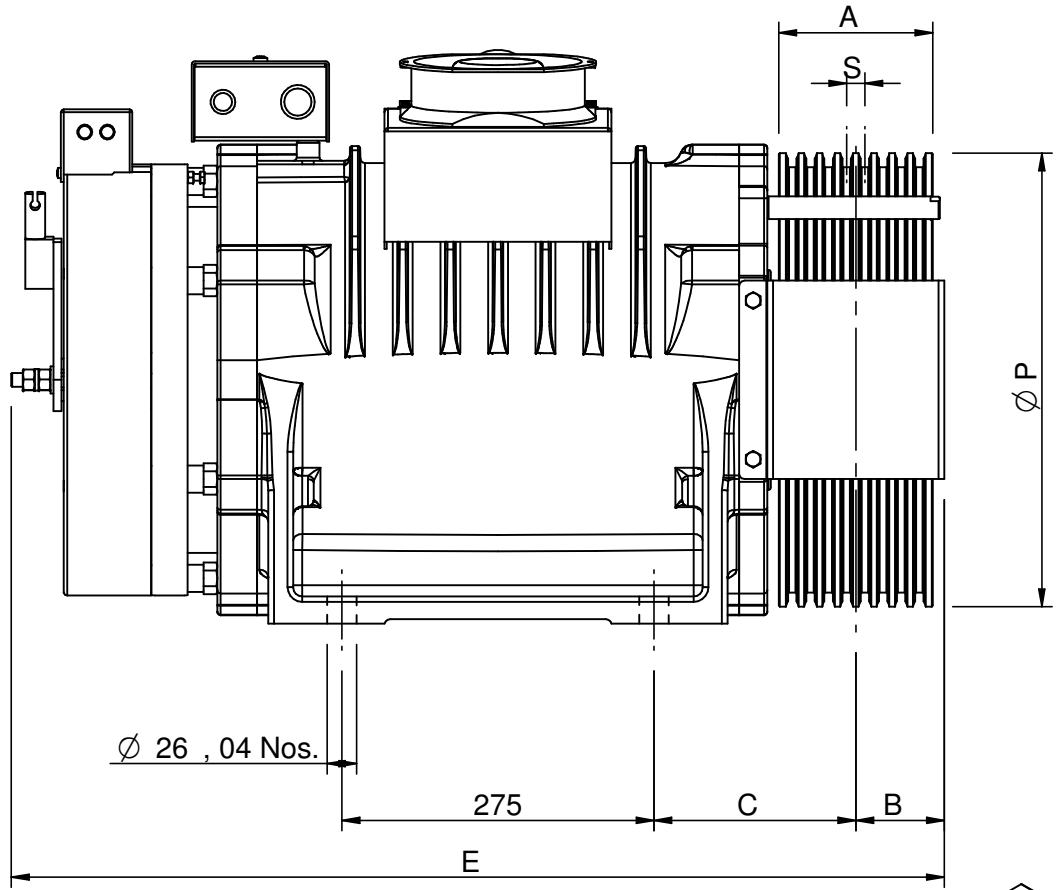
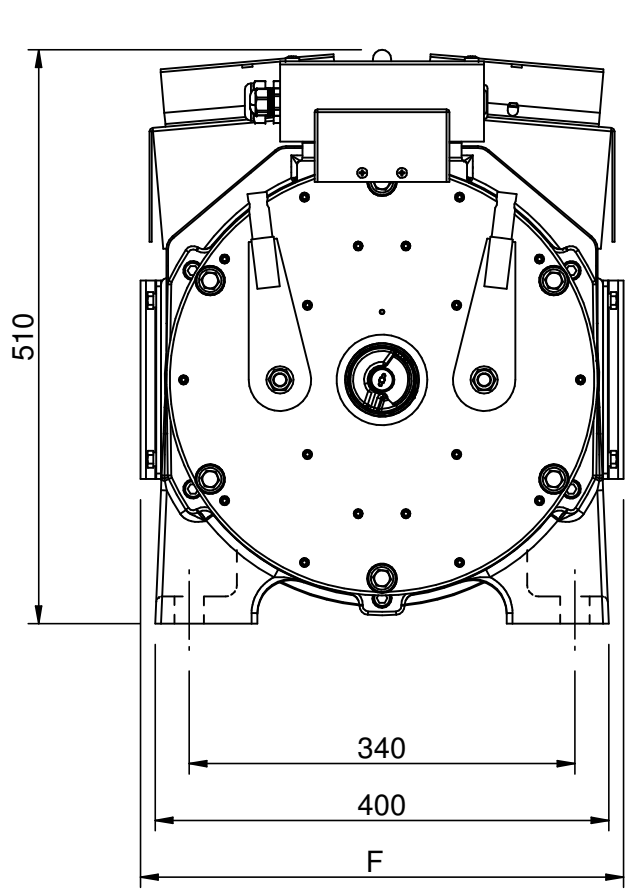
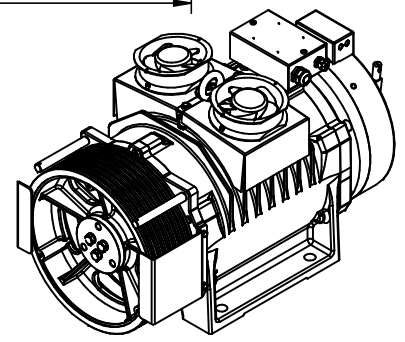


THE INFORMATION CONTAINED IN THIS DRAWING IS THE ONLY PROPERTY OF SHARP ENGINEERS
 ANY REPRODUCTION IN PART OR AS WHOLE WITHOUT THE WRITTEN PERMISSION OF SHARP
 ENGINEERS IS PROHIBITED.



Ø 26 , 04 Nos.

Ø P	A	B	C	N X Ø D	E	F	S
320	142	81	181	11 X Ø 8	829	415	12
400	136	78	178	8 X Ø 10	823	426	16



				DRWN BY ANKIT PATEL	SIZE A4	SCALE		TITLE:-	SEG-60S G.A.DRAWING	
REVISION No.	DESCRIPTION	DATE	APPROVED BY	DRWN DATE 14/07/2022						