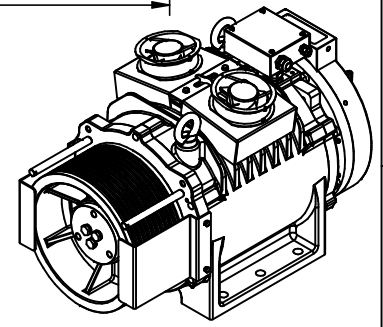


THE INFORMATION CONTAINED IN THIS DRAWING IS THE ONLY PROPERTY OF SHARP ENGINEERS
 ANY REPRODUCTION IN PART OR AS WHOLE WITHOUT THE WRITTEN PERMISSION OF SHARP
 ENGINEERS IS PROHIBITED.



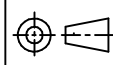
SEG-70
G.A.DRAWING

DRWN BY ANKIT PATEL
DRWN DATE 14/07/2022

SIZE A4

SCALE

TITLE:-



APPROVED BY

DATE

DESCRIPTION

REVISION No.