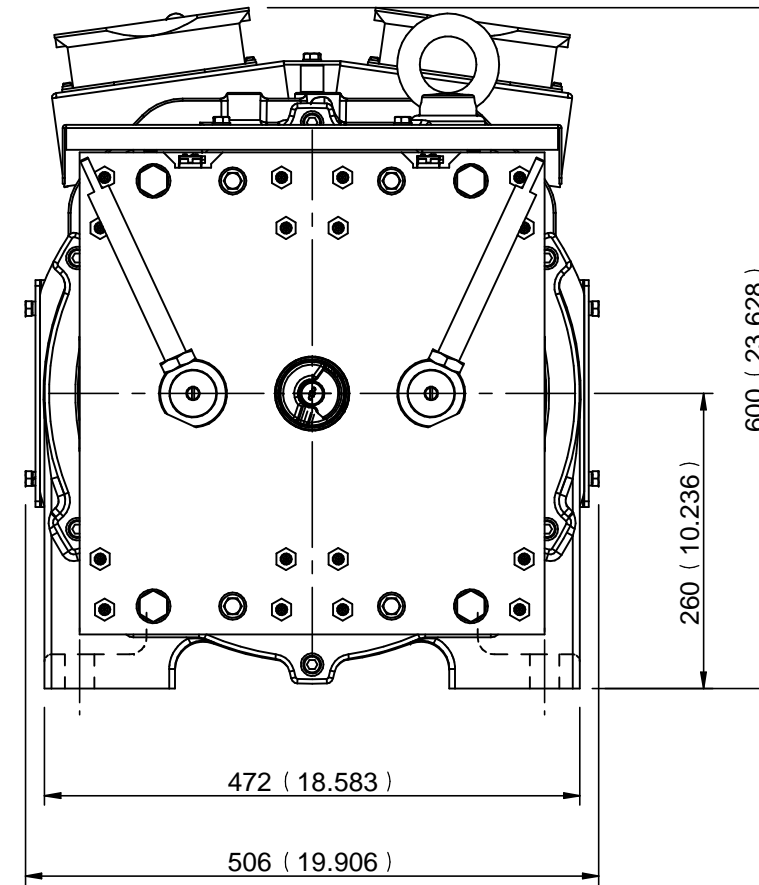
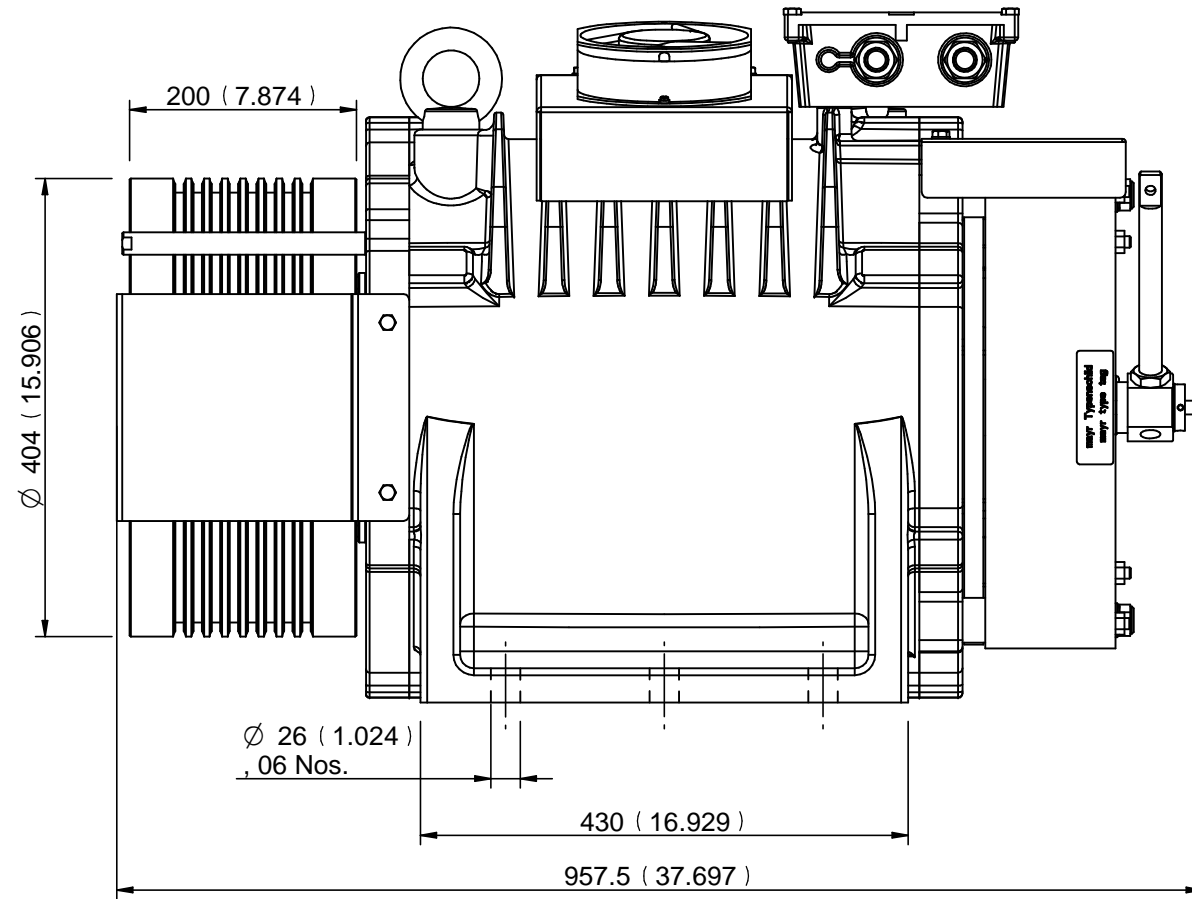
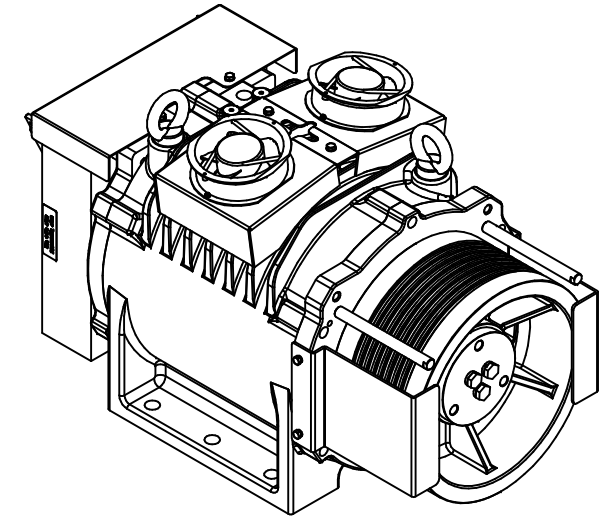


DRW No. :- 700003000

IF ANY DOUBT ASK.



THE INFORMATION CONTAINED IN THIS DRAWING IS THE ONLY PROPERTY OF SHARP ENGINEERS ANY REPRODUCTION IN PART OR AS WHOLE WITHOUT THE WRITTEN PERMISSION OF SHARP ENGINEERS IS PROHIBITED.

CHAMFER ALL EDGES 1x45°. DO NOT SCALE. ALWAYS AIM FOR MID RANGE OF GIVEN TOLERANCE. ALL DIMENSION ARE IN MM UNLESS OTHERWISE SPECIFIED.

ALL DIMENSIONS ARE IN MM (INCH).

| ALLOWABLE DEVIATION FOR UNSPECIFIED DIMENSION (IS 2102 - 1969) | | | | | | | | | | |
|--|-----|-----|-----|-----|--------------------------|------|------|------|------|--|
| DEVIATION ± FOR DIMENSIONS | | | | | ALL DIMENSIONS ARE IN MM | | | | | |
| OVER | 0.5 | 3 | 6 | 30 | 120 | 315 | 1000 | 2000 | 4000 | |
| UPTO | 3 | 6 | 30 | 120 | 315 | 1000 | 2000 | 4000 | 8000 | |
| LENGTH | 0.1 | 0.1 | 0.2 | 0.3 | 0.5 | 0.8 | 1.2 | 2 | 3 | |
| RADII,CHF | 0.2 | 0.5 | 1 | 2 | 4 | - | - | - | - | |

| | | | |
|--------------------|---|---------------------------|-------------|
| SURFACE PROTECTION | -- | MATERIAL | AS PER BOM |
| MECH. CHARACT | -- | R.MAT SIZE | AS PER BOM |
| HEAT TREATMENT | -- | | |
| SURFACE TREATMENT | -- | | |
| DEGREE OF FINISH | ▽ - √ TO √ ▽ - √ TO √ G - √ TO √ √ - 0.025 TO √ SF - SPOTFACE | CASTING WEIGHT | |
| | | MACHINED WEIGHT | |
| | | QUANTITY | 01 No. |
| | | SCALE | 1:1 |
| | | DRWN BY | ANKIT PATEL |
| | | APPRVD BY | ANKIT PATEL |
| | | | 25/11/2024 |
| | | | 25/11/2024 |
| | | TITLE:- GA DRW SEG-X7 MRL | |
| | | DRW No. :- 700003000 | |

| | | | |
|--------------|-------------|------|-------------|
| REVISION No. | DESCRIPTION | DATE | APPROVED BY |
| 6 | | 5 | |
| | | 4 | |
| | | 3 | |
| | | 2 | |
| | | 1 | |