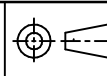


REVISION No.	DESCRIPTION	DATE	APPROVED BY

DRWN BY
KM
DRWN DATE
15-07-2017

SIZE
A4
SCALE
NTS

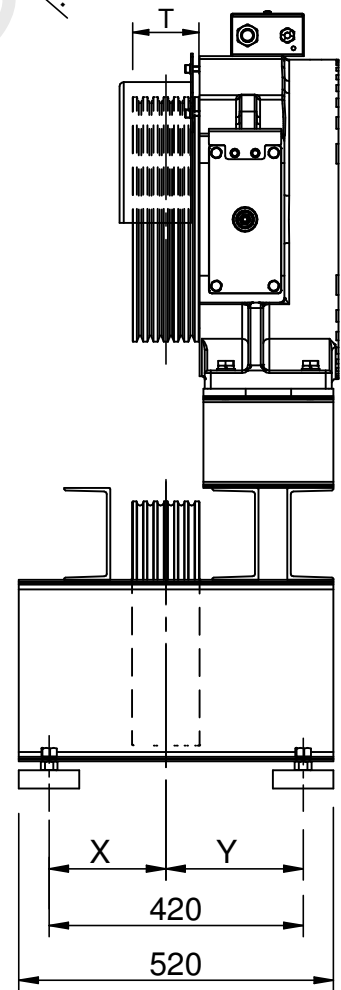
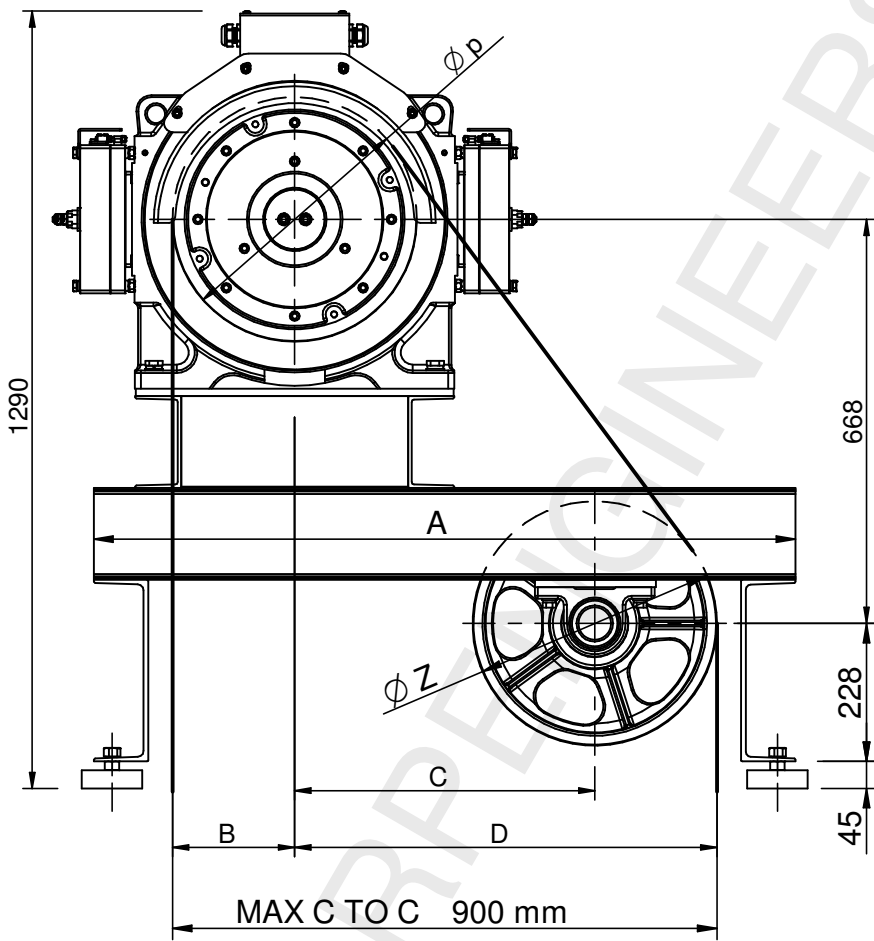
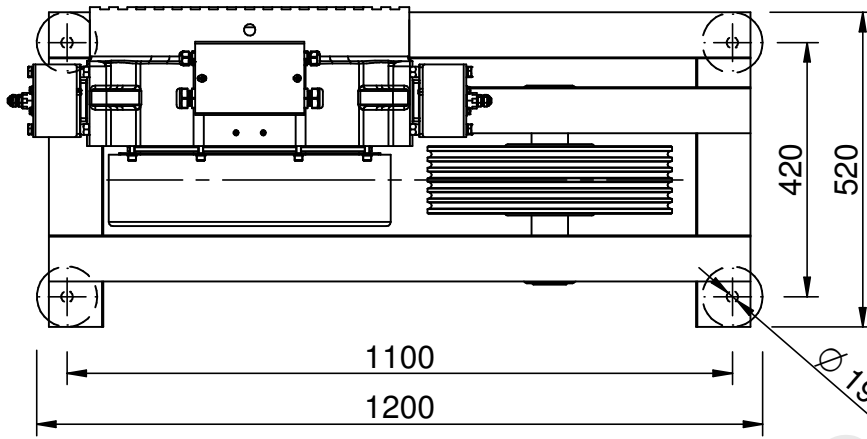


TITLE:-
SEW-20
G.A.DRAWING



THE INFORMATION CONTAINED IN THIS DRAWING IS THE ONLY PROPERTY OF SHARP ENGINEERS ANY REPRODUCTION IN PART OR AS WHOLE WITHOUT THE WRITTEN PERMISSION OF SHARP ENGINEERS IS PROHIBITED.

ALL DIMENSION ARE IN MM UNLESS OTHERWISE SPECIFIED.



MAIN SHEAVE ØP	MAIN SHEAVE THICKNESS T	DIVERTER PULLEY ØZ	MAX C TO C	A	B	C	D	X	Y
Ø340	112	Ø400	900	1160	170	530	730	192	228
Ø400	120	Ø320	900	1160	200	500	700	188	232

REVISION No.	DESCRIPTION	DATE	APPROVED BY

DRWN BY KM	SIZE A4	SCALE	
DRWN DATE 10/01/2018			

TITLE:- SEW-20
CTOC DRAWING FOR MAX. 900mm

