

ALL DIMENSION ARE IN MM UNLESS OTHERWISE SPECIFIED.

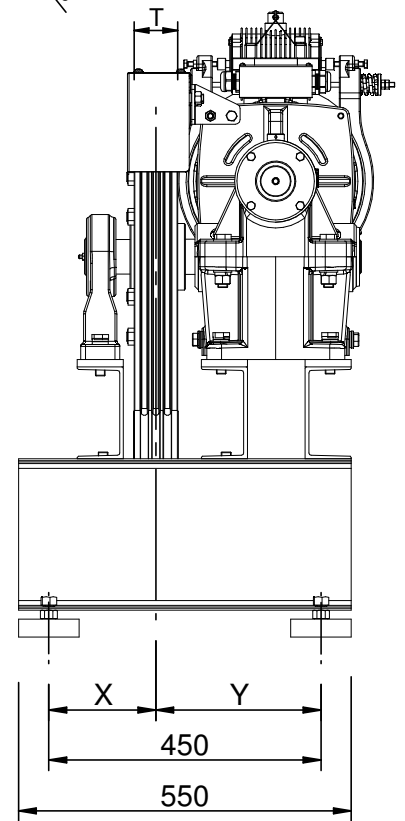
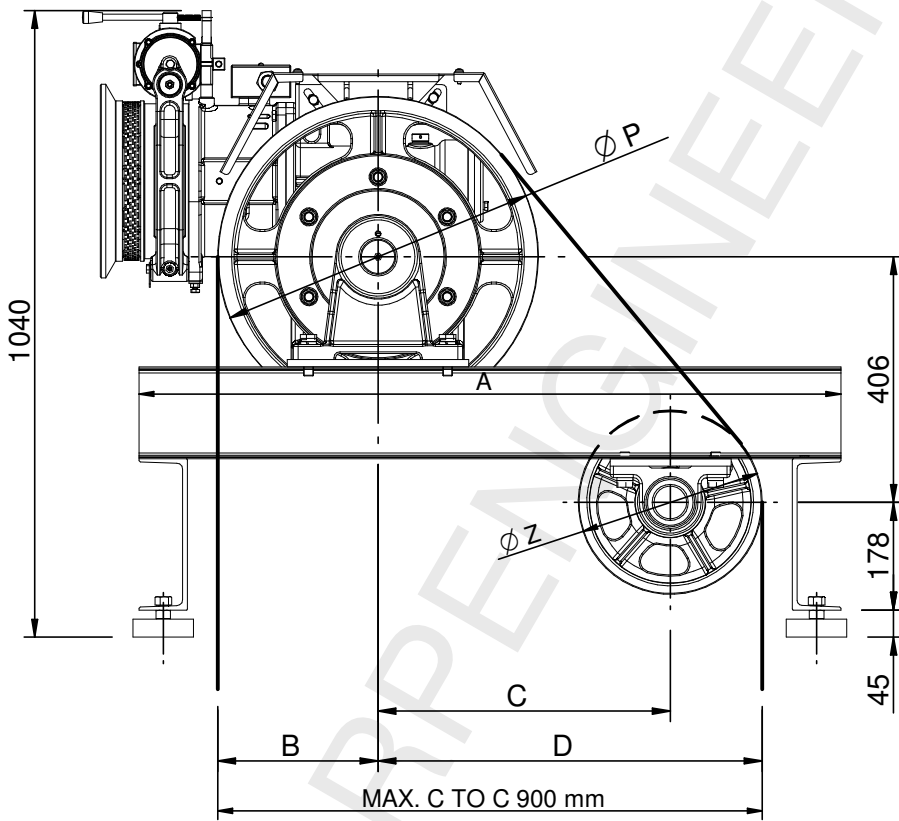
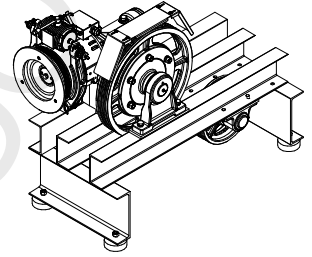
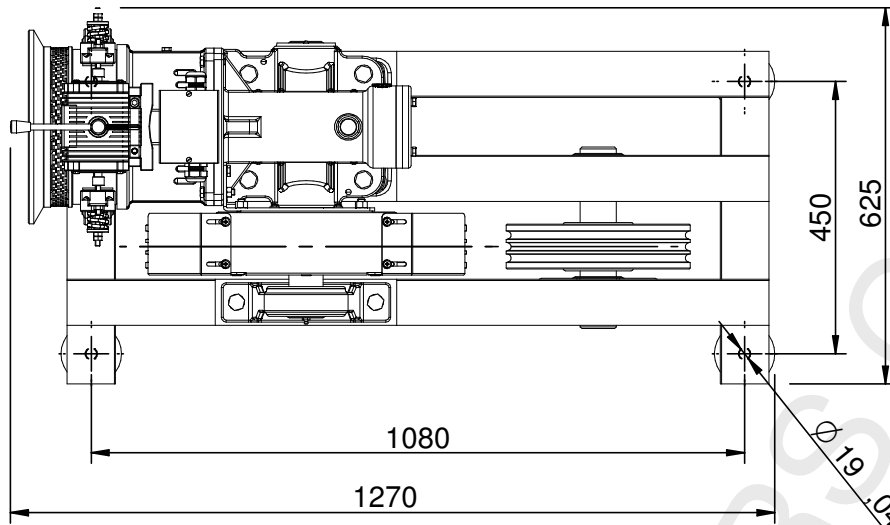
THE INFORMATION CONTAINED IN THIS DRAWING IS THE ONLY PROPERTY OF SHARP ENGINEERS ANY REPRODUCTION IN PART OR AS WHOLE WITHOUT THE WRITTEN PERMISSION OF SHARP ENGINEERS IS PROHIBITED.

REVISION No.	DESCRIPTION	DATE	APPROVED BY	DRWN BY K M	SIZE A4	SCALE	TITLE:-
				DRWN DATE 04-06-2020			CAL-125 N G.A. DRAWING R.H.



THE INFORMATION CONTAINED IN THIS DRAWING IS THE ONLY PROPERTY OF SHARP ENGINEERS ANY REPRODUCTION IN PART OR AS WHOLE WITHOUT THE WRITTEN PERMISSION OF SHARP ENGINEERS IS PROHIBITED.

ALL DIMENSION ARE IN MM UNLESS OTHERWISE SPECIFIED.



MAIN SHEAVE ØP	MAIN SHEAVE THICKNESS T	DIVERTER PULLEY ØZ	MAX C TO C	A	B	C	D	X	Y
Ø530	72	Ø300	900	1160	265	485	635	177	273
Ø560					280	470	620	179	271

REVISION No.	DESCRIPTION	DATE	APPROVED BY

DRWN BY KM	SIZE A4	SCALE 1:10	
DRWN DATE 10/01/2018			

TITLE:- CAL-125 N  
CTOC DRAWING FOR MAX. 900mm R.H

