

THE INFORMATION CONTAINED IN THIS DRAWING IS THE ONLY PROPERTY OF SHARP ENGINEERS. ANY REPRODUCTION IN PART OR AS WHOLE WITHOUT THE WRITTEN PERMISSION OF SHARP ENGINEERS IS PROHIBITED. ALL DIMENSION ARE IN MM UNLESS OTHERWISE SPECIFIED.

REVISION No.	DESCRIPTION	DATE	APPROVED BY	DRWN DATE 04-06-2020

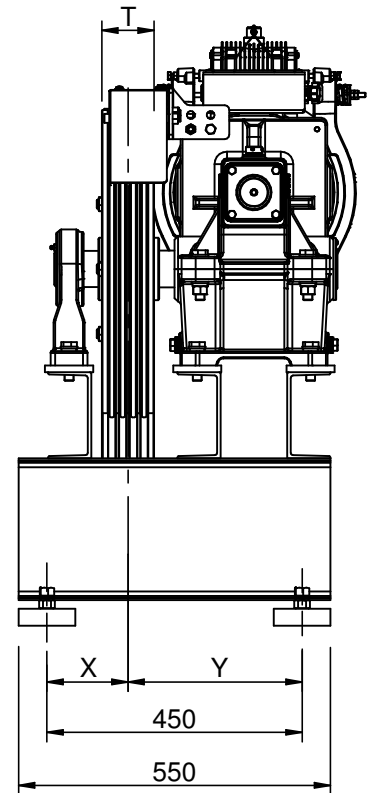
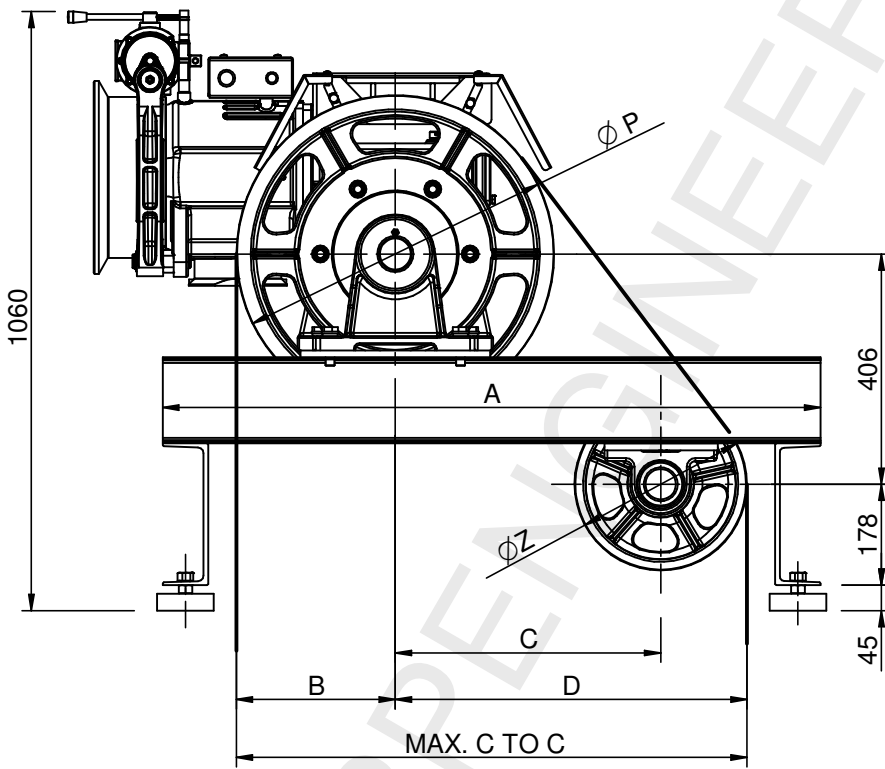
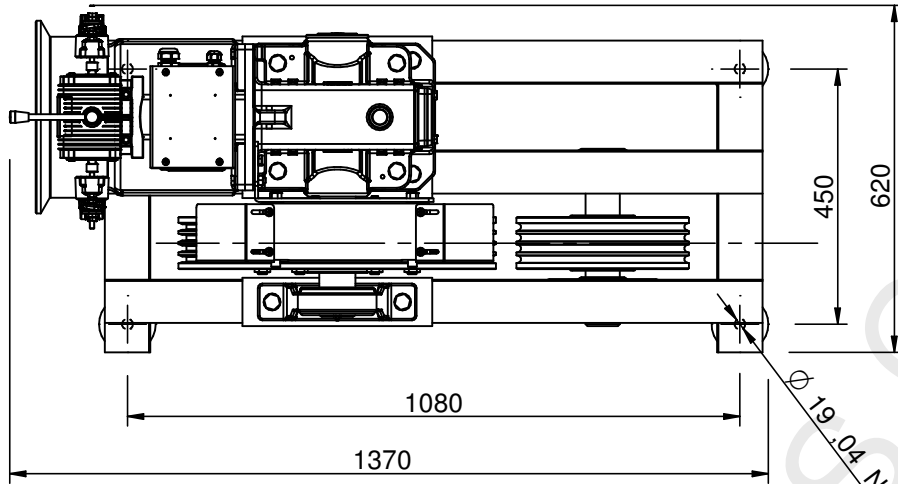
SIZE A4	SCALE 1:12.5	
------------	-----------------	--

TITLE:- CAL-135N
G.A. DRAWING R.H.



THE INFORMATION CONTAINED IN THIS DRAWING IS THE ONLY PROPERTY OF SHARP ENGINEERS ANY REPRODUCTION IN PART OR AS WHOLE WITHOUT THE WRITTEN PERMISSION OF SHARP ENGINEERS IS PROHIBITED.

ALL DIMENSION ARE IN MM UNLESS OTHERWISE SPECIFIED.



MAIN SHEAVE ØP	MAIN SHEAVE THICKNESS T	DIVERTER PULLEY ØZ	MAX. C TO C	A	B	C	D	X	Y
Ø530	72	Ø300	900	1160	265	485	635	141	309
	92							143	307
Ø560	72				280	470	620	141	309
	92							143	307

REVISION No.	DESCRIPTION	DATE	APPROVED BY

DRWN BY KM	SIZE A4	SCALE	
DRWN DATE 10/01/2018			

TITLE:- CAL-125 N
CTOC DRAWING FOR MAX. 900mm R.H

