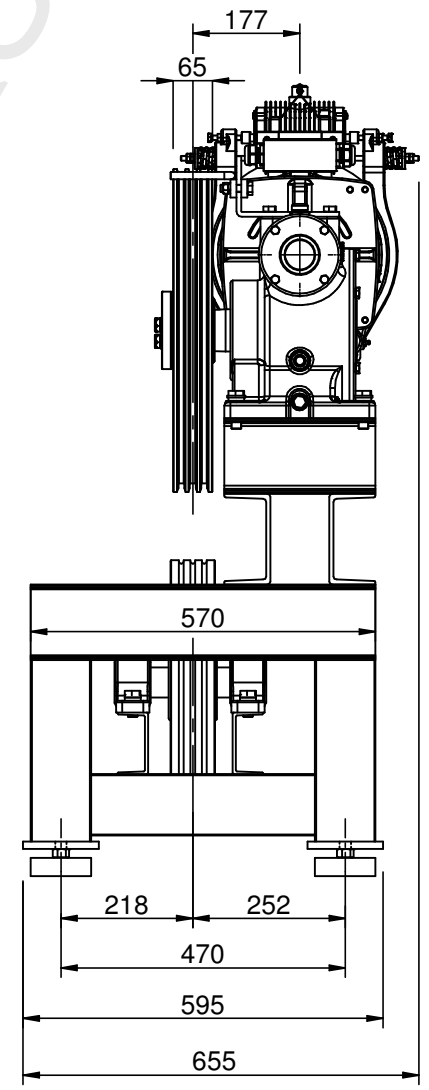
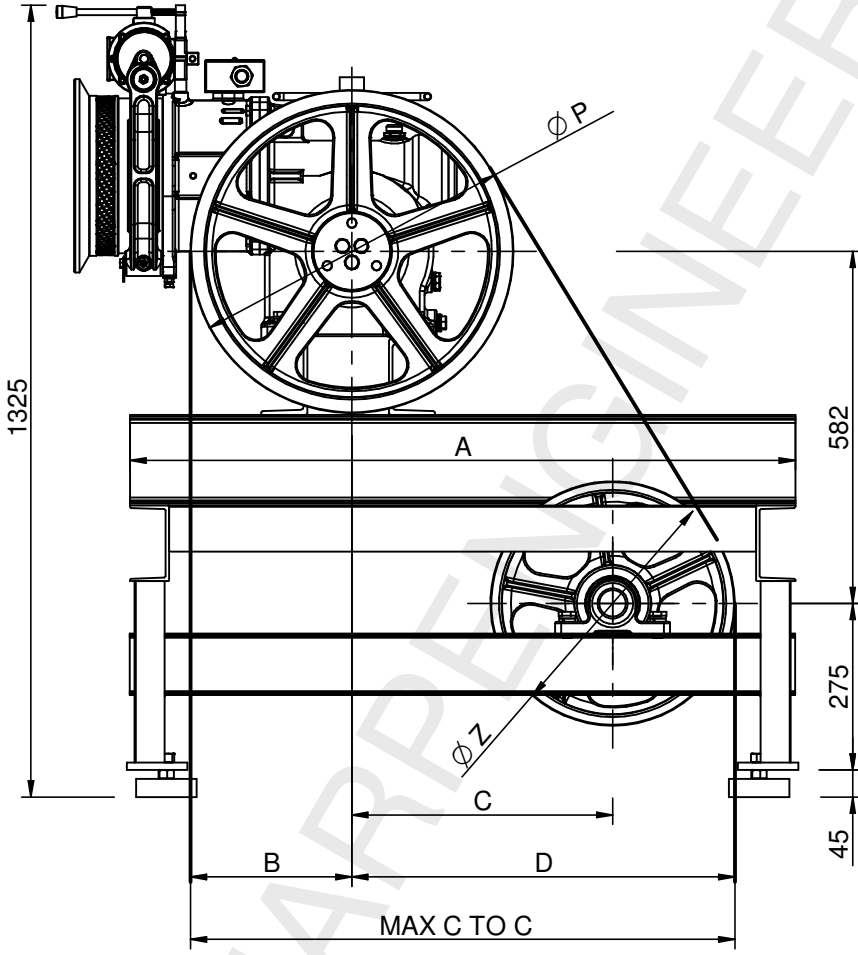
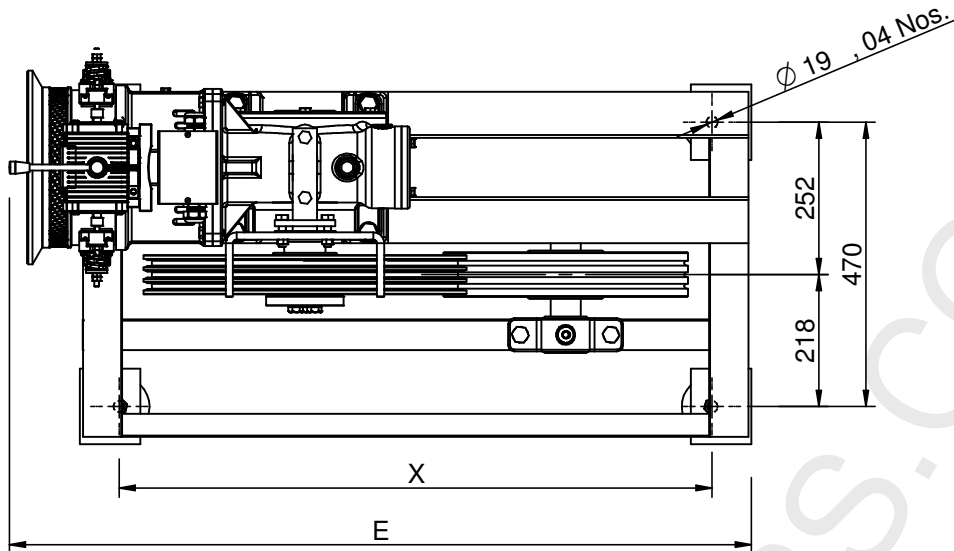


THE INFORMATION CONTAINED IN THIS DRAWING IS THE ONLY PROPERTY OF SHARP ENGINEERS. ANY REPRODUCTION IN PART OR AS WHOLE WITHOUT THE WRITTEN PERMISSION OF SHARP ENGINEERS IS PROHIBITED. ALL DIMENSION ARE IN MM UNLESS OTHERWISE SPECIFIED.

REVISION No.	DESCRIPTION	DATE	APPROVED BY	DRWN BY K M	SIZE A4	SCALE 1:10	TITLE:-	STELLAR-125 G.A. DRAWING	SHARP ENGINEERS
6	5	4		DRWN DATE 04-06-2020	3			2	1

THE INFORMATION CONTAINED IN THIS DRAWING IS THE ONLY PROPERTY OF SHARP ENGINEERS ANY REPRODUCTION IN PART OR AS WHOLE WITHOUT THE WRITTEN PERMISSION OF SHARP ENGINEERS IS PROHIBITED.

ALL DIMENSION ARE IN MM UNLESS OTHERWISE SPECIFIED.



MAIN SHEAVE ØP	DIVERTER PULLEY ØZ	MAX C TO C	A	B	C	D	E	X
Ø530	Ø400	900	1100	265	431	635	1230	980

REVISION No.	DESCRIPTION	DATE	APPROVED BY

DRWN BY KM	SIZE A4	SCALE	
DRWN DATE 10/01/2018			

TITLE:- STELLAR-125  
CTOC DRAWING FOR MAX. 900mm R.H

